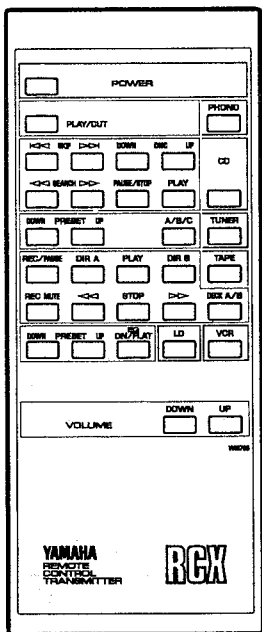
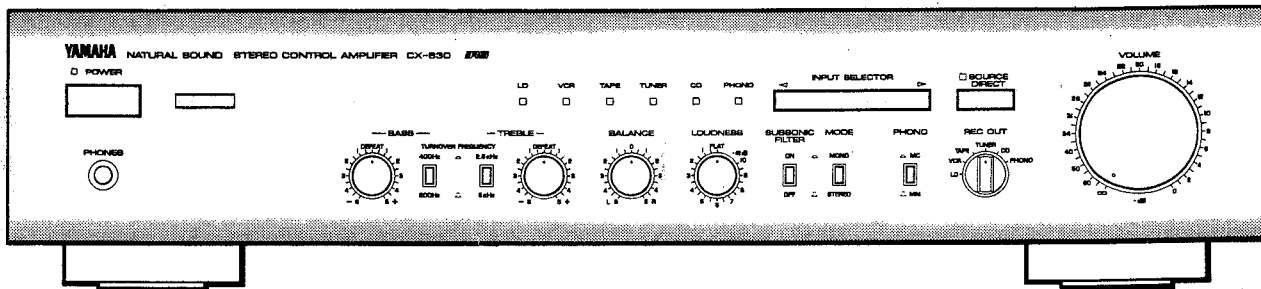


STEREO CONTROL AMPLIFIER CX-630

SERVICE MANUAL



IMPORTANT NOTICE

This manual has been provided for the use of authorized Yamaha Retailers and their service personnel. It has been assumed that basic service procedures inherent to the industry, and more specifically Yamaha Products, are already known and understood by the users, and have therefore not been restated.

WARNING: Failure to follow appropriate service and safety procedures when servicing this product may result in personal injury, destruction of expensive components and failure of the product to perform as specified. For these reasons, we advise all Yamaha product owners that all service required should be performed by an authorized Yamaha Retailer or the appointed service representative.

IMPORTANT: The presentation or sale of this manual to any individual or firm does not constitute authorization, certification or recognition of any applicable technical capabilities, or establish a principle-agent relationship of any form.

The data provided is believed to be accurate and applicable to the unit(s) indicated on the cover. The research, engineering, and service departments of Yamaha are continually striving to improve Yamaha products. Modifications are, therefore, inevitable and specifications are subject to change without notice or obligation to retrofit. Should any discrepancy appear to exist, please contact the distributor's Service Division.

WARNING: Static discharges can destroy expensive components. Discharge any static electricity your body may have accumulated by grounding yourself to the ground buss in the unit (heavy gauge black wires connect to this buss).

IMPORTANT: Turn the unit OFF during disassembly and parts replacement. Recheck all work before you apply power to the unit.

CX-630

CONTENTS

| | | | |
|------------------------------|-----|-----------------------------|--------|
| TO SERVICE PERSONNEL | 1 | BLOCK DIAGRAM | 6 |
| SPECIFICATIONS | 1 | PRINTED CIRCUIT BOARD | 7 ~ 10 |
| REAR PANELS | 2 | WIRING | 11 |
| INTERNAL VIEW | 3 | SCHEMATIC DIAGRAM | 12 |
| DISASSEMBLY PROCEDURES | 3 | PARTS LIST | 13 |
| IC BLOCK/CIRCUIT DATA | 4/5 | | |

100335

YAMAHA
YAMAHA CORPORATION
P.O. Box 1, Hamamatsu, Japan
3.3K-807 © Printed in Japan '90. 3

TO SERVICE PERSONNEL

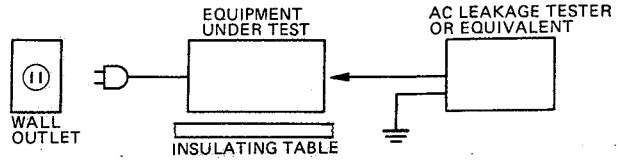
1. Critical Components Information.

Components having special characteristics are marked Δ and must be replaced with parts having specifications equal to those originally installed.

2. Leakage Current Measurement (For 120V Model Only).

When service has been completed, it is imperative that you verify that all exposed conductive surfaces are properly insulated from supply circuits.

- Meter impedance should be equivalent to 1500 ohm shunted by 0.15 μ F.
- Leakage current must not exceed 0.5mA.
- Be sure to test for leakage with the AC plug in both polarities.



• POLARIZATION

This amplifier product is equipped with a polarized alternating-current lineplug (a plug having one blade wider than the other). This plug will fit into the power outlet only one way. This is a safety feature. (U,C Model only)

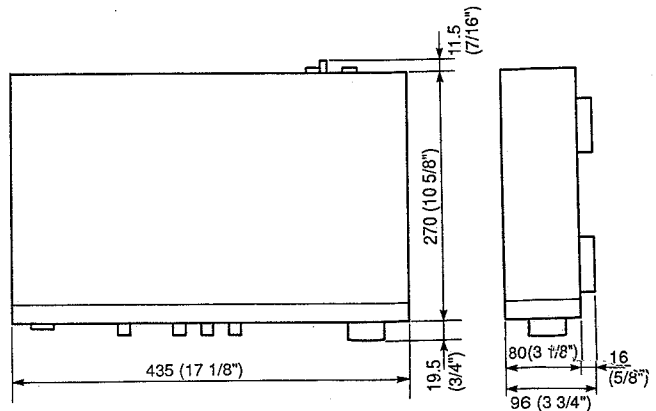
SPECIFICATIONS

| | |
|--|---|
| Input Sensitivity/Impedance | |
| Phono MC | 100 μ V/100 Ω |
| MM | 2.5 mV/47 k Ω |
| CD/TUNER/TAPE/VCR/LD | 150 mV/47 k Ω |
| Input Sensitivity (New IHF) | |
| Phono MC | 33 μ V |
| MM | 0.83 mV |
| CD/TUNER/TAPE/VCR/LD | 50 mV |
| Maximum Input Signal | |
| 1 kHz, 0.03% THD, Phono MC | 7 mV |
| 1 kHz, 0.01% THD, Phono MM | 170 mV |
| Output Level/Impedance | |
| REC OUT | 150 mV/2.5 k Ω |
| PRE OUT | 1.5V/47 Ω |
| Maximum Voltage Output | |
| 20 Hz - 20 kHz 0.1% THD | 8.5V or more |
| Headphone Jack Rated Output/Impedance | |
| Output Level (0.1% THD RL = 150 Ω) | 4.4V |
| Impedance | 82 Ω |
| Frequency Response | |
| CD/TUNER/TAPE/VCR/LD | 20 Hz - 20 kHz (\pm 0.2 dB) |
| RIAA Equalization Deviation | |
| Phono MC/MM | 20 Hz - 20 kHz (\pm 0.3/ \pm 0.2 dB) |
| Total Harmonic Distortion | |
| 20 Hz - 20 kHz | |
| Phono MC to REC OUT, 3V | 0.002% |
| MM to REC OUT, 3V | 0.002% |
| (SOURCE DIRECT ON) | |
| CD/TUNER/TAPE/VCR/LD to Pre Out, 3V | 0.002% |
| Signal-to-Noise Ratio (IHF-A Network) | |
| Phono MC (500 μ V Input Shorted) | 84 dB |
| MM (5 mV Input Shorted) | 94 dB |
| SOURCE DIRECT (Shorted) | 106 dB |
| Residual Noise (IHF-A Network) | 8 μ V |
| Channel Separation | |
| (Vol Max.) | |
| Phono MC, MM Input shorted | |
| 1 kHz/10 kHz | 80 dB/70 dB |
| CD/TUNER/TAPE/VCR/LD Input 5.1 k Ω Terminated | |
| 1 kHz/10 kHz | 70 dB/60 dB |
| Tone Control Characteristics | |
| Bass | |
| Boost/Cut | \pm 10 dB (20 Hz) |
| Turnover frequency | 200 Hz - 400 Hz |
| Treble | |
| Boost/Cut | \pm 10 dB (20 kHz) |
| Turnover frequency | 2.5 kHz - 5 kHz |

| | |
|---|-------------------------------|
| Video Input Sensitivity/Impedance | |
| VCR, LD | 1 Vp-p/75 Ω |
| Video Output Level/Impedance | |
| VCR OUT, MONITOR OUT | 1 Vp-p/75 Ω |
| Filter Characteristics | |
| Subsonic | 15 Hz, -12 dB/oct |
| Continuous Loudness Control (Level Related Equalization) | |
| Attenuation | -40 dB (1 kHz) |
| Gain Tracking Error | |
| (0 - -60 dB) | 2 dB |
| Power Supply | |
| U.S.A. and Canadian models | AC 120 V/60 Hz |
| British and Australian models | AC 240 V/50 Hz |
| European model | AC 220 V/50 Hz |
| General model | AC 110/120/220/240 V 60/50 Hz |
| Power Consumption | 30 W |
| AC Outlets | |
| U.S.A. Canadian and General models | |
| Switched (2) | 200 W max. |
| Unswitched (1) | 200 W max. |
| British, Australia, and Europe models | |
| Switched (1) | 100 W max. |
| Dimensions (W x H x D) | 435 x 96 x 301 mm |
| | (17-1/8" x 3-3/4" x 11-7/8") |
| Weight | 4.8 kg (10 lbs. 9 oz.) |

* Specifications are subject to change without notice.

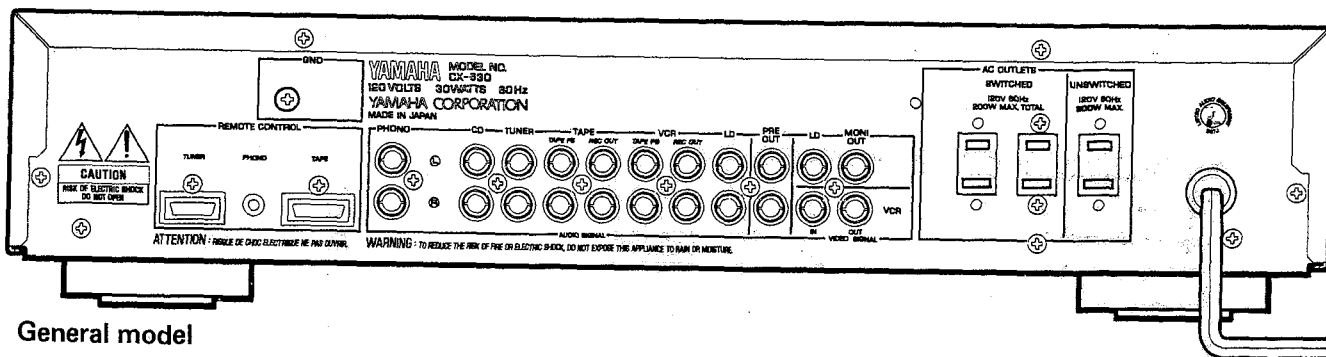
• DIMENSIONS



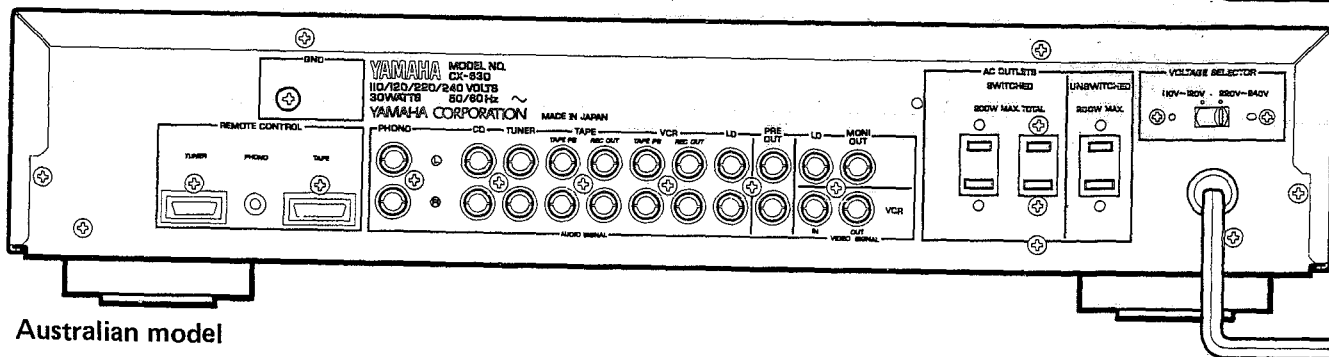
UNIT: mm (inch)

REAR PANEL

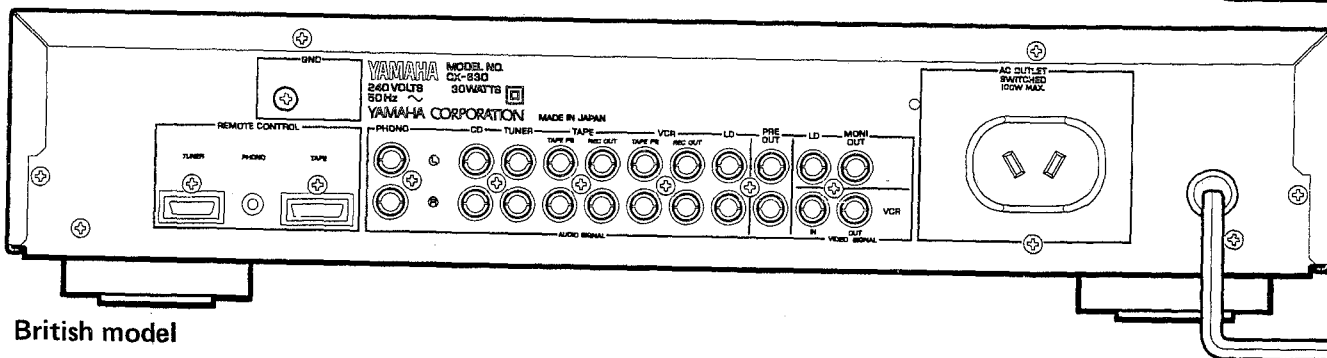
- U.S.A. and Canadian models



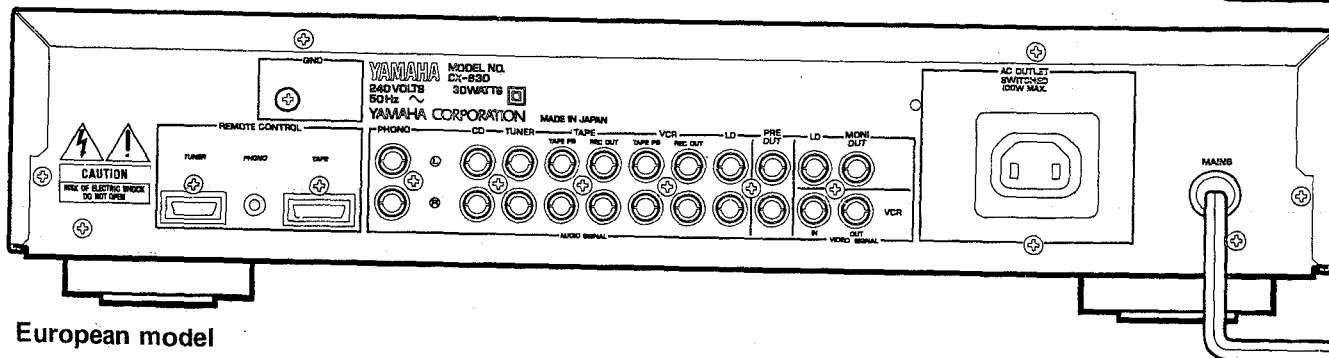
- General model



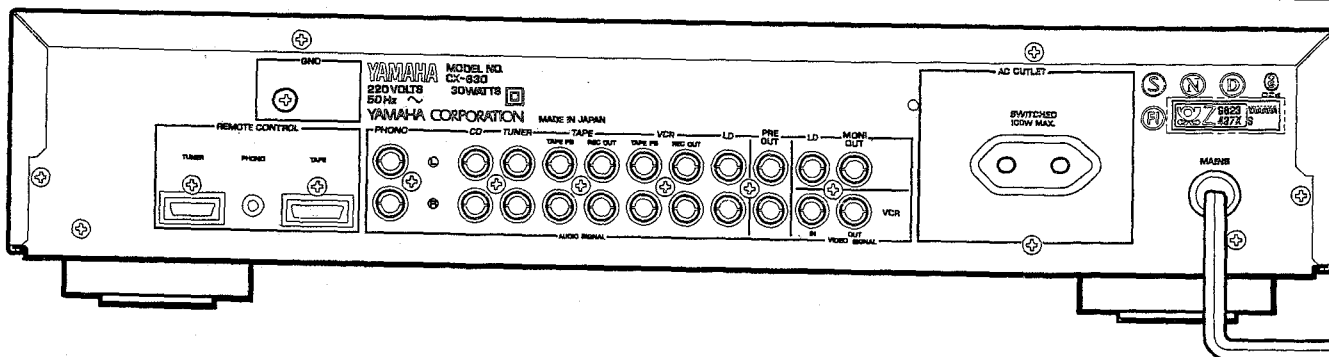
- Australian model



- British model

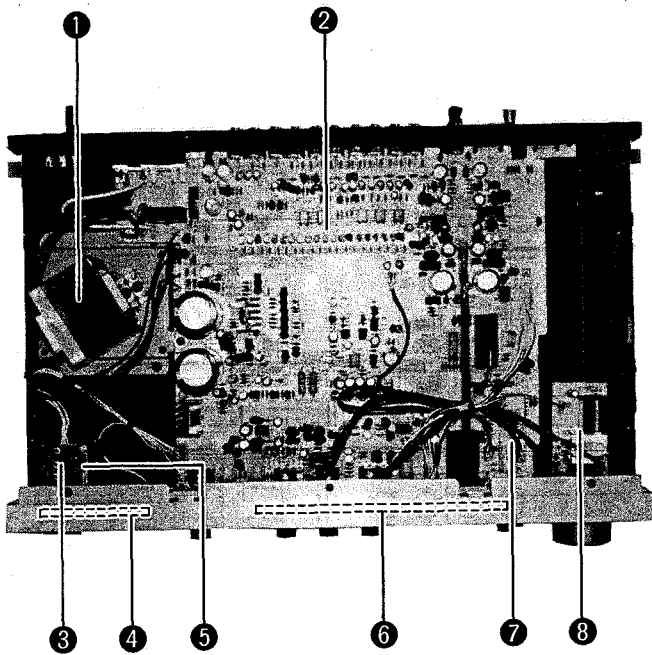


- European model



CX-630

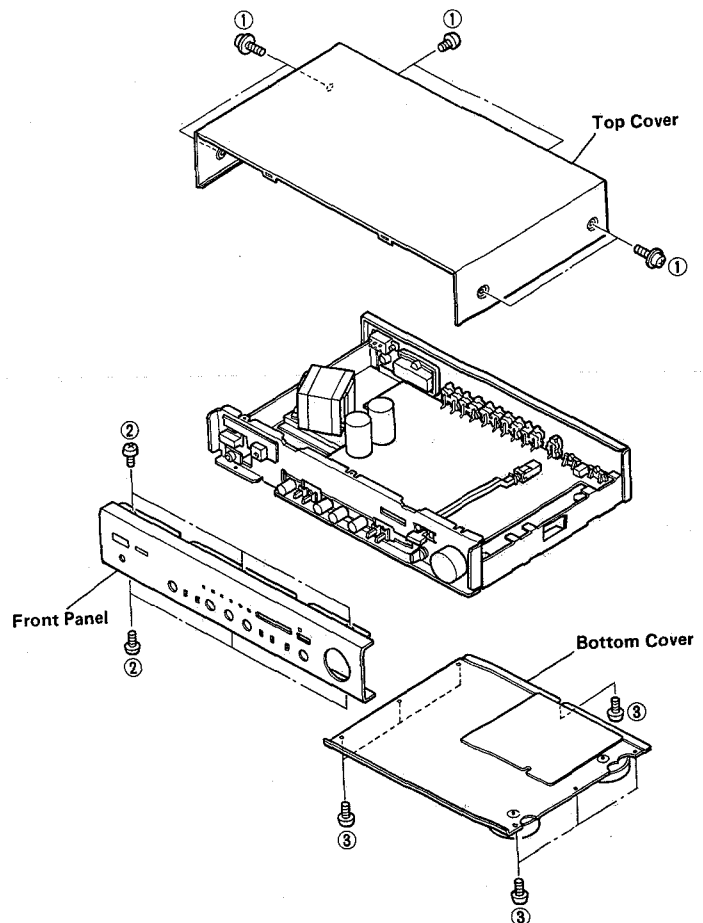
INTERNAL VIEW



- ① POWER TRANSFORMER
U, C models : XG997A0
R model : XG998A0
A, B models : XG999A0
G model : XH000A0
- ② MAIN CIRCUIT BOARD (1)
- ③ MAIN CIRCUIT BOARD (5)
- ④ MAIN CIRCUIT BOARD (6)
- ⑤ MAIN CIRCUIT BOARD (7)
- ⑥ MAIN CIRCUIT BOARD (2)
- ⑦ MAIN CIRCUIT BOARD (4)
- ⑧ MAIN CIRCUIT BOARD (3)

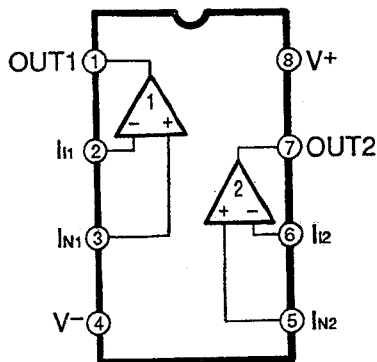
DISASSEMBLY PROCEDURES

1. Removal of Top Cover
Remove 6 screws (①) in Fig. 1, and slide the Top Cover back and up.
2. Removal of Front Panel
Remove 6 screws (②) in Fig. 1.
3. Removal of Bottom Cover
Remove 7 screws (③) in Fig. 1.

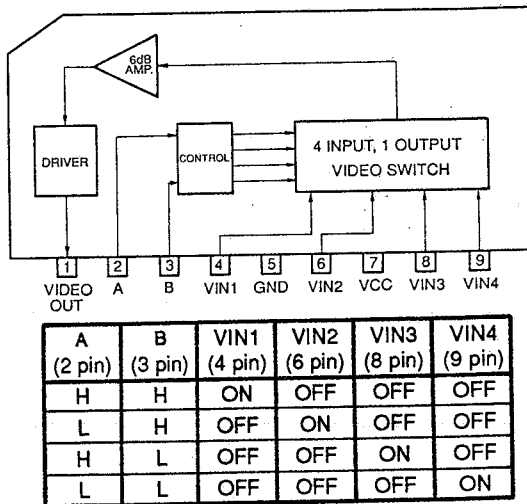


IC BLOCK

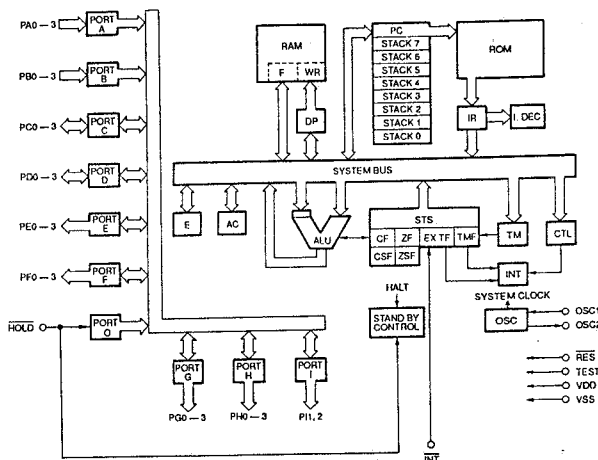
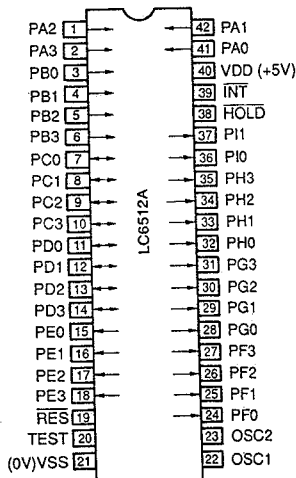
- IC1 ~ 5, 11 ~ 13 : NJM2041D-D Ope-Amp.



- IC6 : LA7952



- IC8 : LC6512A-4264 Microcomputer



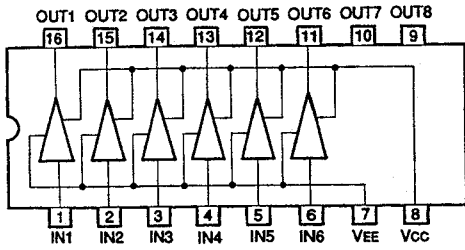
CX-630

| Pin No. | Terminal Name | Function | Pin No. | Terminal Name | Function |
|---------|---------------|-------------------------|---------|---------------|-------------------------|
| 1 | PA2 | | 22 | OSC1 | |
| 2 | PA3 | GND | 23 | OSC2 | |
| 3 | PB0 | Input Selector UP | 24 | PF0 | PHONO Input |
| 4 | PB1 | Input Selector DOWN | 25 | PF1 | CD Input |
| 5 | PB2 | GND | 26 | PF2 | TUNER Input |
| 6 | PB3 | GND | 27 | PF3 | TAPE Input |
| 7 | PC0 | | 28 | PG0 | NC |
| 8 | PC1 | NC | 29 | PG1 | VCR Input |
| 9 | PC2 | NC | 30 | PG2 | NC |
| 10 | PC3 | RS Remote Control PHONO | 31 | PG3 | LD Input |
| 11 | PD0 | RS Remote Control TAPE | 32 | PH0 | Volume Down |
| 12 | PD1 | RS Remote Control TAPE | 33 | PH1 | Volume Up |
| 13 | PD2 | RS Remote Control TAPE | 34 | PH2 | RS Remote Control TUNER |
| 14 | PD3 | RS Remote Control TAPE | 35 | PH3 | RS Remote Control TUNER |
| 15 | PE0 | Power On/Off | 36 | PI0 | NC |
| 16 | PE1 | Video Input Control LD | 37 | PI1 | Mute |
| 17 | PE2 | Video Input Control VCR | 38 | HOLD | |
| 18 | PE3 | NC | 39 | INT | |
| 19 | RES | | 40 | VDD | +5V Input |
| 20 | TEST | GND | 41 | PA0 | Remote Control Input |
| 21 | VSS | GND | 42 | PA1 | Power Switch |

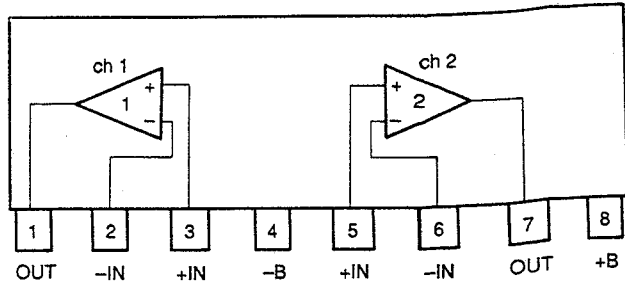
Video Input Control Selector

| Pin No. | LD | VCR 1 | VCR 2 |
|---------|----|-------|-------|
| 16 | H | L | L |
| 17 | L | H | L |
| 18 | L | L | H |

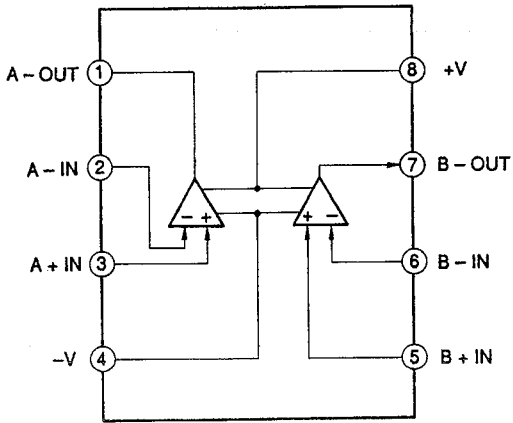
- IC7 : LB1294
Driver



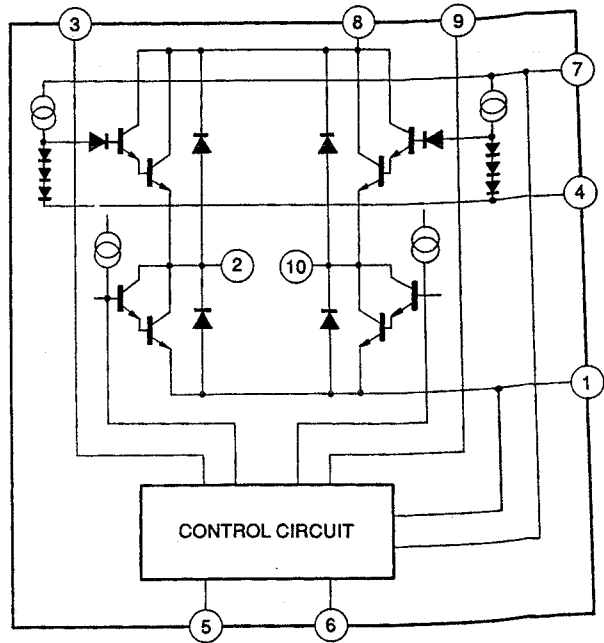
- IC9, 10 : M5219L
Ope-Amp.



- IC14 : NJM5532D-D
Ope-Amp.

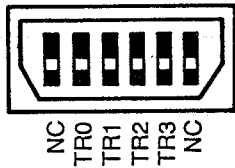


- IC15 : BA6229
Driver



Remote Control Terminal

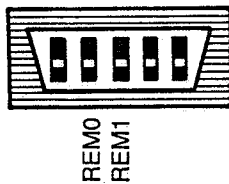
(TAPE)



| TR3 | TR2 | TR1 | TR0 | MODE |
|-----|-----|-----|-----|-----------|
| L | L | L | L | NO DATA |
| L | L | L | H | STOP |
| L | L | H | L | FF |
| L | L | H | H | REW |
| L | H | L | L | PLAY |
| L | H | L | H | REC PAUSE |
| L | H | H | L | REC MUTE |
| H | H | H | H | A/B |
| H | H | L | L | DIR A |
| H | H | L | H | DIR B |

Note) H 3V ~ 5V
L Less than 0.6V
Pulse .. More than 30msec

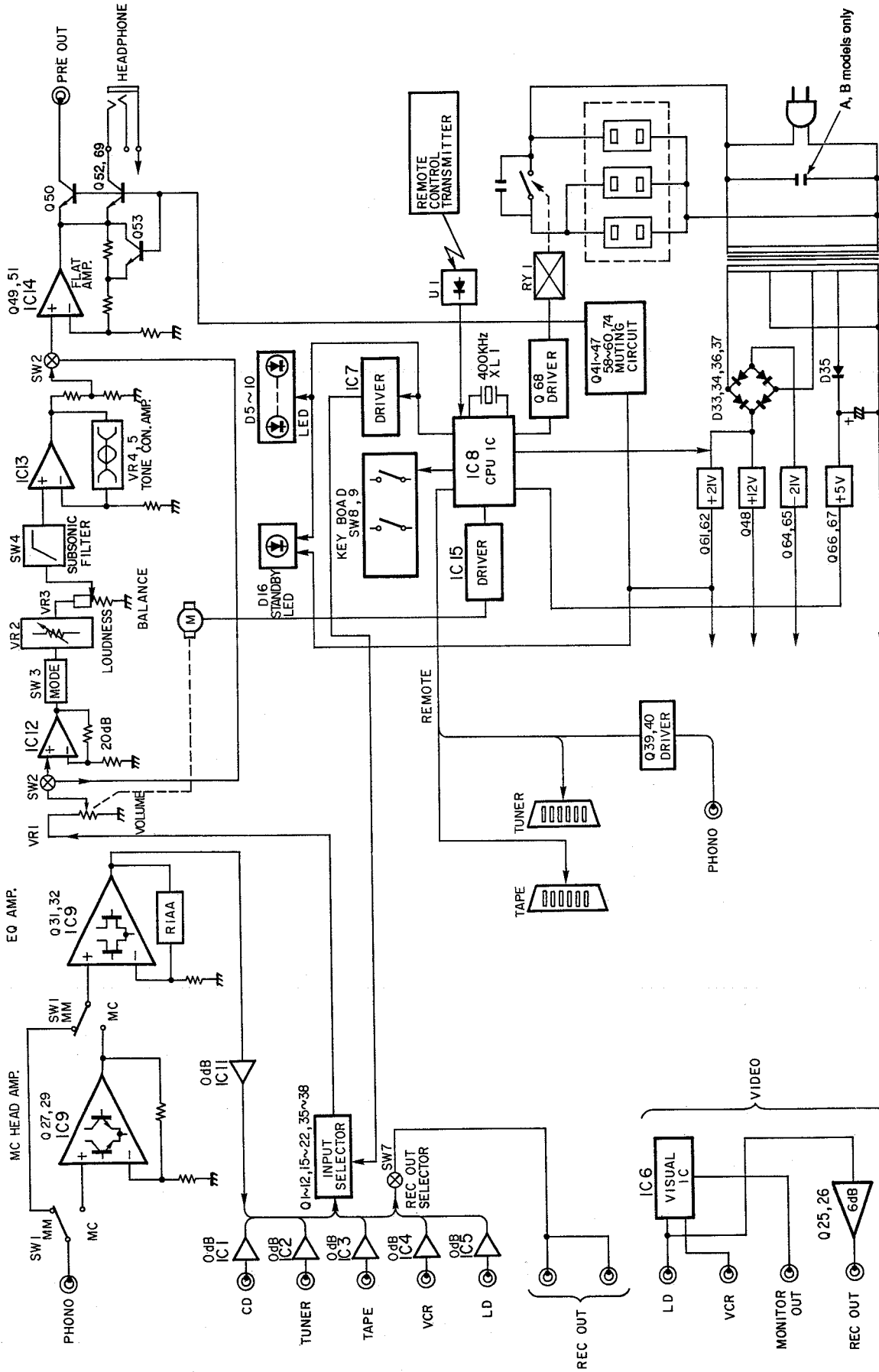
(TUNER)



| MODE | REM 0 | REM 1 |
|--------------|-------|-------|
| UP | H | L |
| DOWN | L | H |
| P1-P8/P9-P16 | H | H |

L= 0 ~ 1.5V
H=3.3 ~ 5.5V

■ BLOCK DIAGRAM



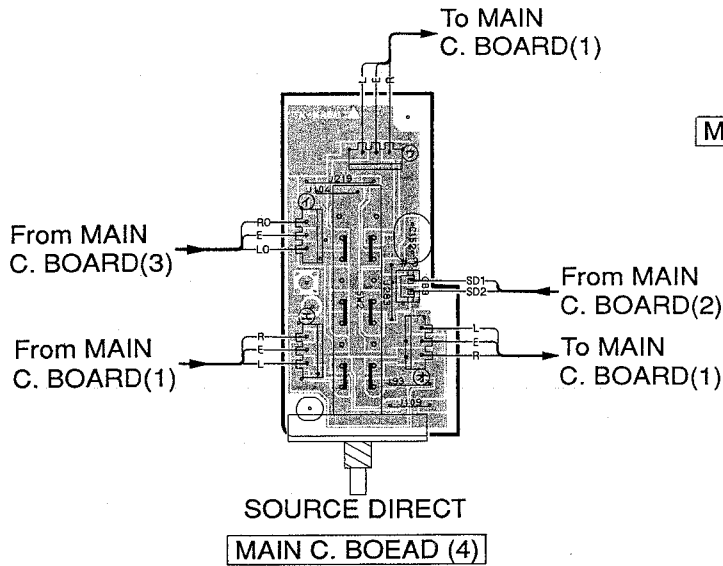
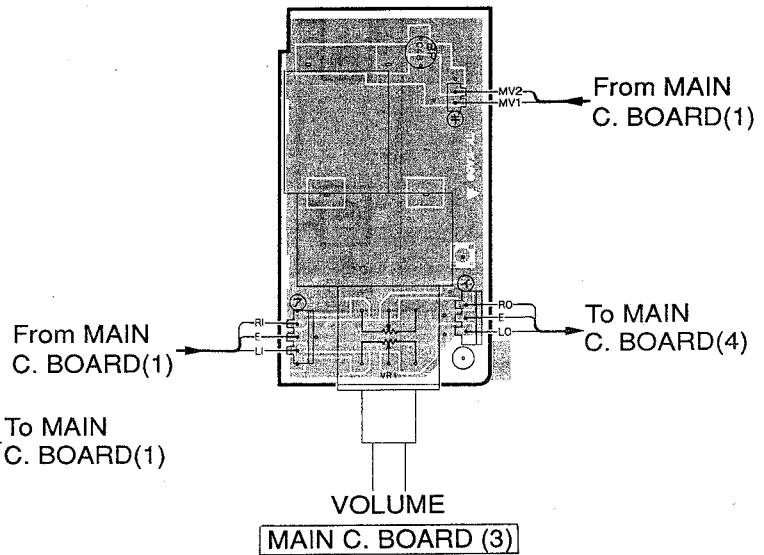
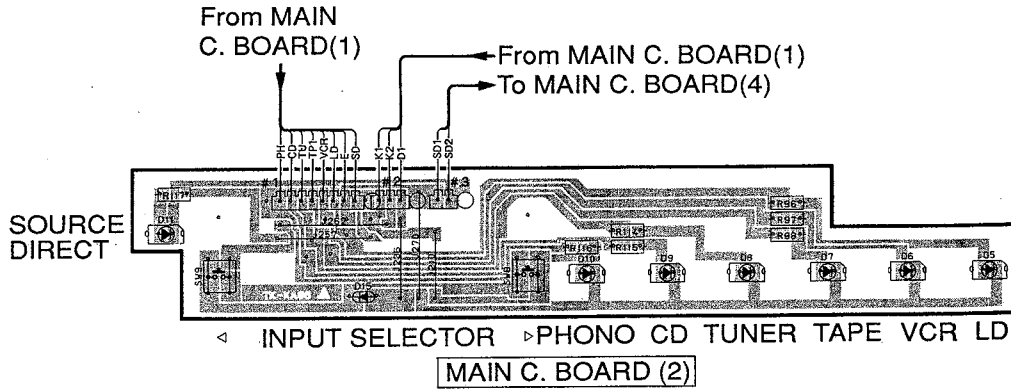
CX-630

CX-630

PRINTED CIRCUIT BOARD (Pattern side)

Notes) 文字面 : Component side

For a Printed Circuit Board number terminated with **D** or **E**, refer to Page 7, 8 or Page 9, 10, respectively, in that order.



Note : * Marked for Printed Circuit Board

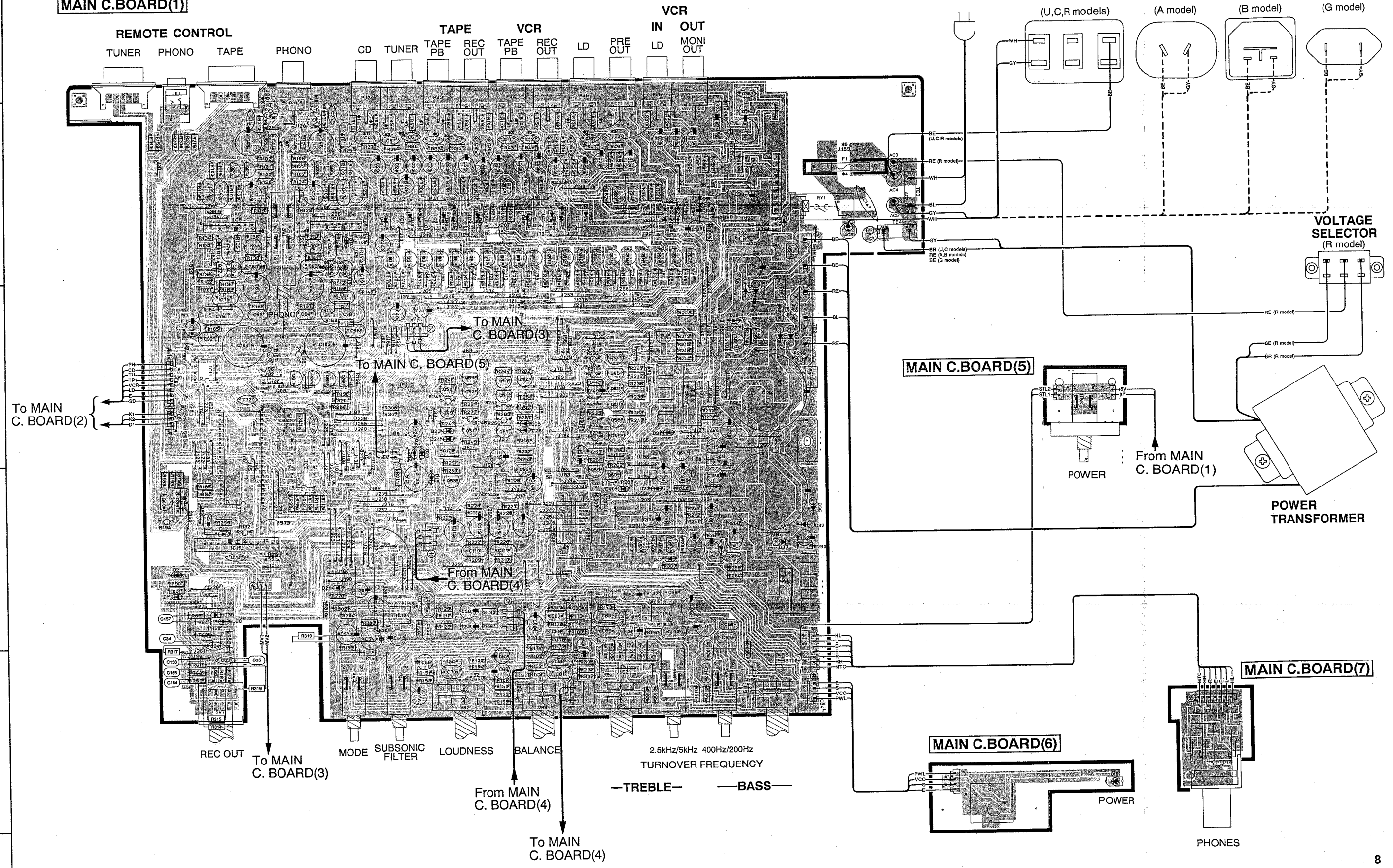
| | U, C | R | A, B | G |
|----------------|----------------------|---|------|------------|
| *1 R1-6, 11-14 | 100 | | | 220 |
| *3 C5-8, 11-14 | OPEN | | | 270P |
| *4 F1 | OPEN | | | T2.5A 250V |
| *5 J169 | SHORT | | | OPEN |
| *6 C60, 63 | 220P/100 | | | 330P/100 |
| *7 C44, 45 | 0.01 | | | 0.018 |
| *8 R136, 143 | 220 | | | 2.2K |
| *9 R312, 313 | OPEN | | | 1K |
| *10 L3, 4 | SHORT (J301, J302) | | | 15μH |
| *11 C3, 4 | 220P/100 or 220P/400 | | | 270P/100 |

PRINTED CIRCUIT BOARD (Pattern side)

Notes) 文字面 : Component side

For a Printed Circuit Board number terminated with [D] or [E], refer to Page 7, 8 or Page 9, 10, respectively, in that order.

MAIN C. BOARD(1)



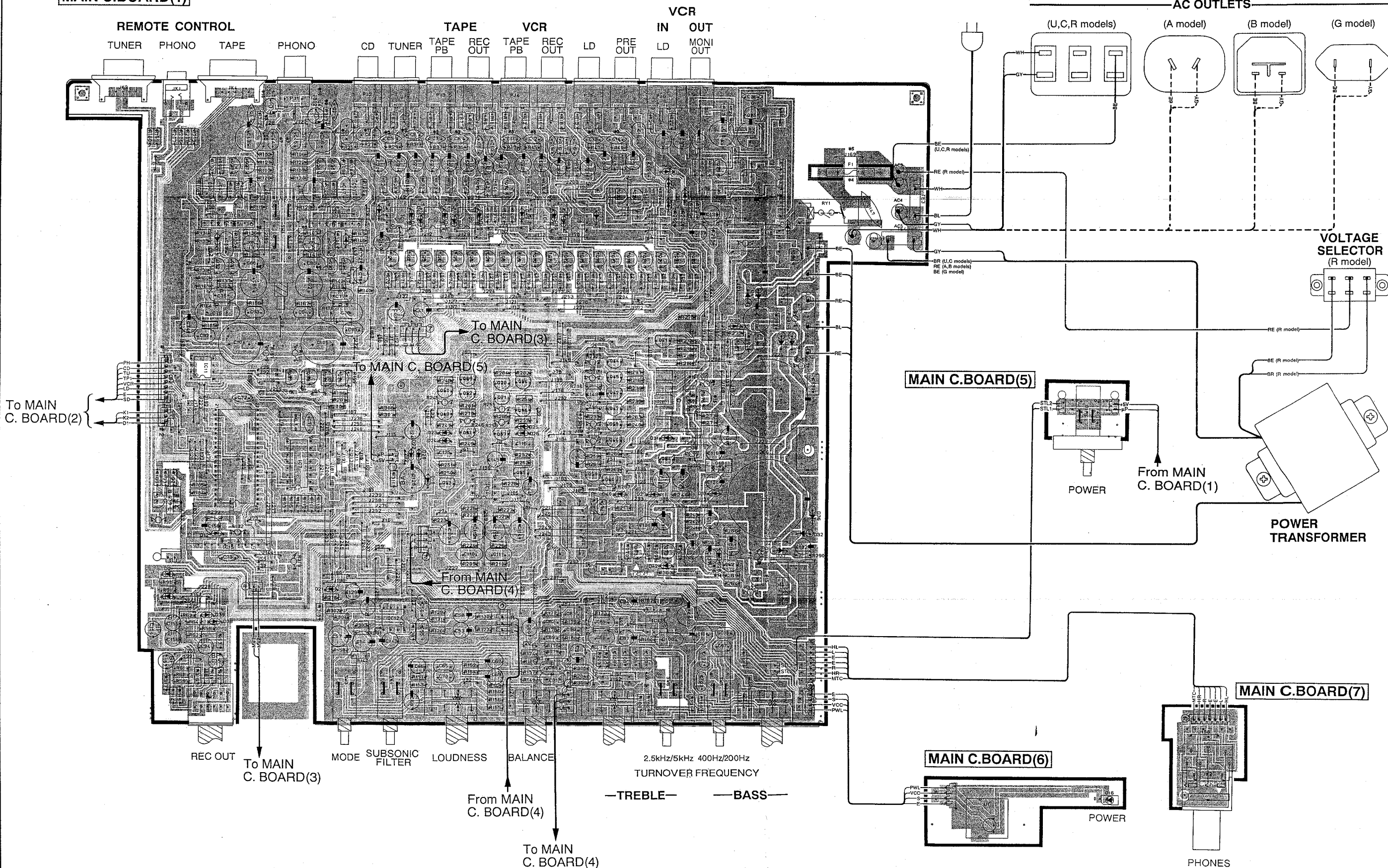
CX-630

PRINTED CIRCUIT BOARD (Pattern side)

Notes) 文字面 : Component side

For a Printed Circuit Board number terminated with **D** or **E**, refer to Page 7, 8 or Page 9, 10, respectively, in that order.

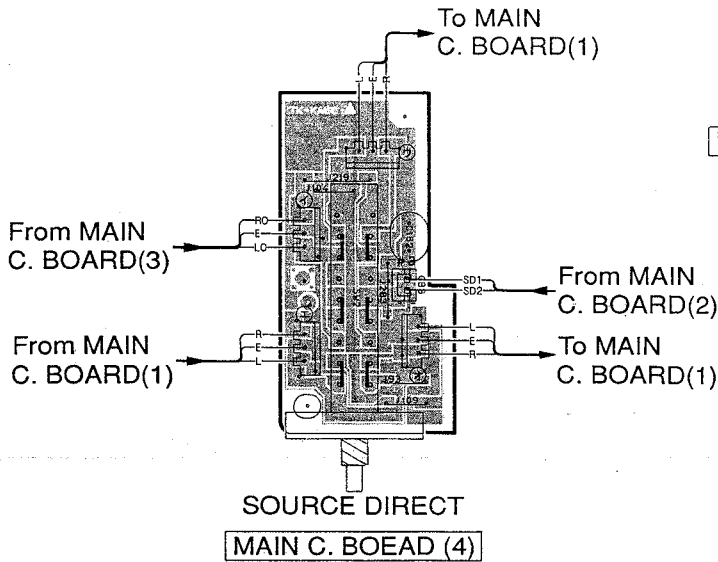
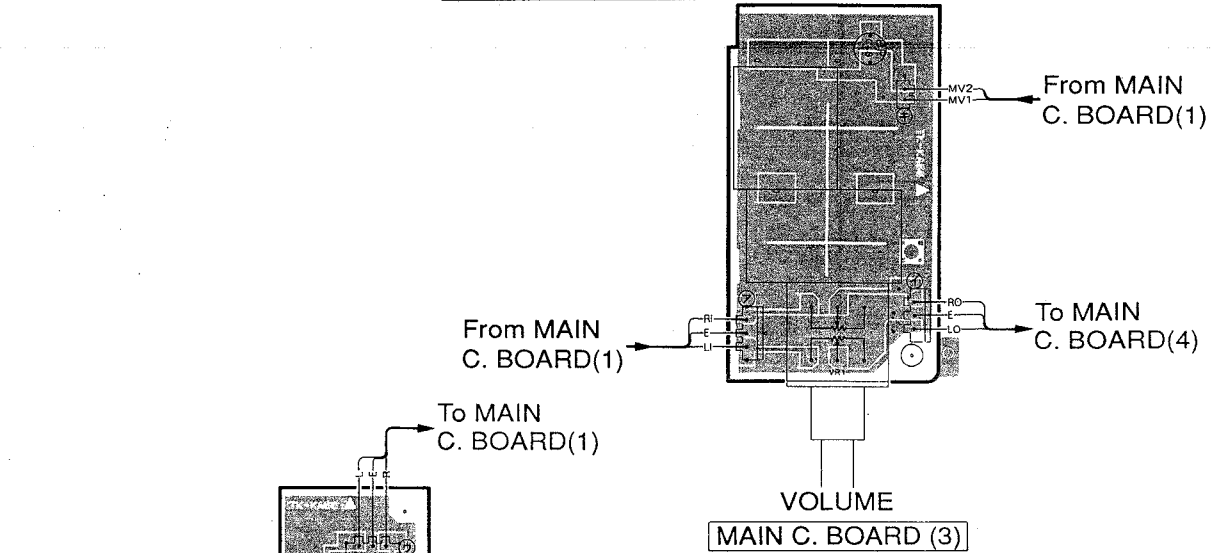
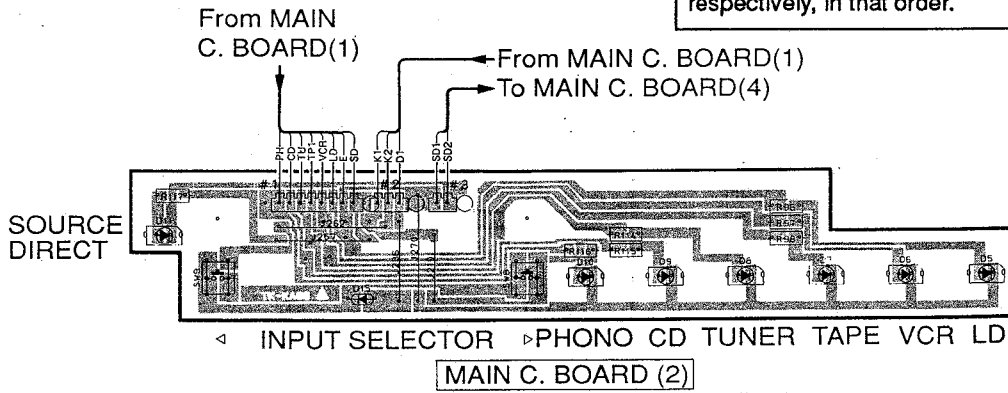
MAIN C. BOARD(1)



PRINTED CIRCUIT BOARD (Pattern side)

For a Printed Circuit Board number terminated with **D** or **E**, refer to Page 7, 8 or Page 9, 10, respectively, in that order.

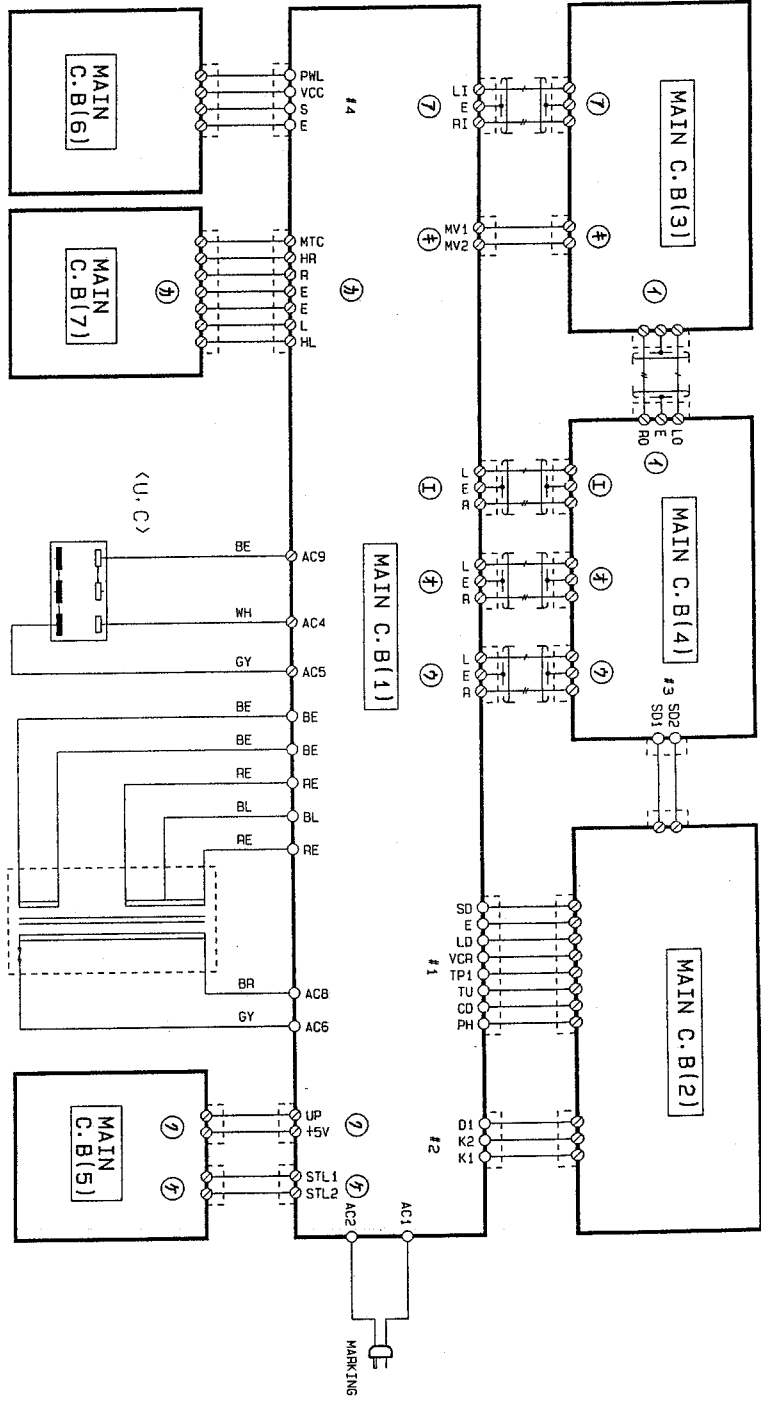
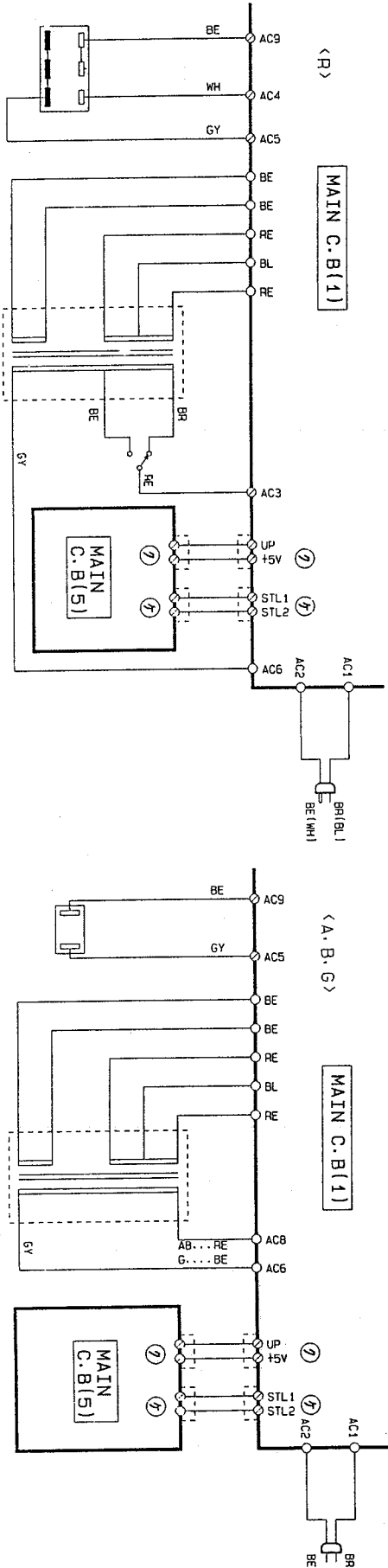
Notes) 文字面 : Component side



Note : * Marked for Printed Circuit Board

| | U, C | R | A, B | G |
|----------------|----------------------|--------------------|------|------------|
| *3 C5-8, 11-14 | OPEN | | | 270P |
| *4 F1 | OPEN | | | T2.5A 250V |
| *5 J169 | SHORT | | | OPEN |
| *6 C60, 63 | 220P/100 | | | 330P/100 |
| *7 C44, 45 | 0.01 | | | 0.018 |
| *8 R136, 143 | 220 | | | 2.2K |
| *9 R312, 313 | OPEN | | | 1K |
| *10 L3, 4 | SHORT (J301, J302) | | | 15μH |
| *11 C3, 4 | 220P/100 or 220P/400 | | | 270P/100 |
| *12 R320, 321 | 2.2 | SHORT (J311, J312) | | |
| *13 R322, 323 | 4.7K | OPEN | | |
| *14 R269 | 2.7K | 4.7K | | |
| *15 Q75, 76 | USE | NOT USE | | |
| *16 D28 | MTZJ3.6B | MTZJ6.2B | | |

WIRING



PARTS LIST

■ WARNING

- Components having special characteristics are marked \triangle and must be replaced with parts having specifications equal to those originally installed.
- Carbon resistors 1/4 W are not included in the ELECTRICAL PARTS list. For the parts No. of the carbon resistor, refer to P.22.

■ ELECTRICAL PARTS

| Ref. NO. | PART NO. | Description | 部 品 名 | Remarks | Markets | ランク |
|----------|----------|------------------------|--------------|----------|---------------------|---------------|
| | V1590300 | MAIN CIRCUIT BOARD | メインシート | | C | |
| | V1590400 | MAIN CIRCUIT BOARD | メインシート | | R | |
| | V1590500 | MAIN CIRCUIT BOARD | メインシート | | A, B | |
| | V1590600 | MAIN CIRCUIT BOARD | メインシート | | G | |
| | VJ550700 | MAIN CIRCUIT BOARD | メインシート | | U | |
| | FA156100 | MYLAR FILM CAP | 1uF 50V | マイラーコン | C152 | |
| | FA153470 | MYLAR FILM CAP | 4700pF 50V | マイラーコン | C65,70 | |
| | FA154100 | MYLAR FILM CAP | 0.01uF 50V | マイラーコン | C44,45 | U, C, R, A, B |
| | UA254180 | MYLAR FILM CAP | 0.018uF 50V | マイラーコン | C44,45 | G |
| | FA154150 | MYLAR FILM CAP | 0.015uF 50V | マイラーコン | C93,94 | |
| | FA154470 | MYLAR FILM CAP | 0.047uF 50V | マイラーコン | C92,95 | |
| | FA154510 | MYLAR FILM CAP | 0.051uF 50V | マイラーコン | C97,98,102,103 | |
| | V1503300 | MYLAR FILM CAP | 0.012uF 100V | マイラーコン | C106-109 | |
| | V1504200 | MYLAR FILM CAP | 0.068uF 100V | マイラーコン | C82,83,89,90 | |
| | V1802200 | POLYETHYLENE FILM CAP | 0.1uF 100V | ポリエチレンコン | C116,125,135,139 | |
| | UT452100 | POLYPROPYLENE FILM CAP | 100pF 100V | PPコン | C110,111 | |
| | UT452100 | POLYPROPYLENE FILM CAP | 100pF 100V | PPコン | C55,56,85,86,99,100 | U, C, R, A, B |
| | UT452220 | POLYPROPYLENE FILM CAP | 220pF 100V | PPコン | C60,63 | G |
| | UT452330 | POLYPROPYLENE FILM CAP | 330pF 100V | PPコン | C60,63 | U, C, R, A, B |
| | UT452220 | POLYPROPYLENE FILM CAP | 220pF 100V | PPコン | C3,4 | G |
| | UT452270 | POLYPROPYLENE FILM CAP | 270pF 100V | PPコン | C3,4 | |
| | UT452200 | POLYPROPYLENE FILM CAP | 220pF 100V | PPコン | C159,160 | |
| | UT452470 | POLYPROPYLENE FILM CAP | 470pF 100V | PPコン | C59,64 | |
| | UT453100 | POLYPROPYLENE FILM CAP | 1000pF 100V | PPコン | C50,51 | |
| | UT453150 | POLYPROPYLENE FILM CAP | 1500pF 100V | PPコン | C42,47 | |
| | UT464270 | POLYPROPYLENE FILM CAP | 0.027uF 100V | PPコン | C75,77 | |
| | UT464470 | POLYPROPYLENE FILM CAP | 0.047uF 100V | PPコン | C81,88 | |
| | UT465100 | POLYPROPYLENE FILM CAP | 0.1uF 100V | PPコン | C76,78 | |
| | VF611200 | MULTILAYER CERAMIC CAP | 0.1uF 50V | 積層セラコン | C151 | |
| | FG210500 | CERAMIC CAP | 5pF 50V | セラコン | C36 | |
| | FG212220 | CERAMIC CAP | 220pF 50V | セラコン | C9,10,15,16 | |
| | FG212220 | CERAMIC CAP | 220pF 50V | セラコン | C5-8,11-14 | G |
| | FG212270 | CERAMIC CAP | 270pF 50V | セラコン | C5-8,11-14 | G |
| | FG212330 | CERAMIC CAP | 330pF 50V | セラコン | C71,72 | |
| | FG244100 | CERAMIC CAP | 0.01uF 50V | セラコン | C1,2,73 | |
| | UH137100 | ELECTROLYTIC CAP | 10uF 16V | ケミコン | C124 | |
| | UH137330 | ELECTROLYTIC CAP | 33uF 16V | ケミコン | C17,37,39 | |
| | UH147100 | ELECTROLYTIC CAP | 10uF 25V | ケミコン | C118,121 | |
| | UH147220 | ELECTROLYTIC CAP | 22uF 25V | ケミコン | C117,122,130 | |
| | UH147470 | ELECTROLYTIC CAP | 47uF 25V | ケミコン | C158 | |
| | UH148100 | ELECTROLYTIC CAP | 100uF 25V | ケミコン | C153 | |
| | UH166100 | ELECTROLYTIC CAP | 1uF 50V | ケミコン | C129,131,132 | |
| | UJ165100 | ELECTROLYTIC CAP | 0.1uF 50V | ケミコン | C150 | |
| | UJ165220 | ELECTROLYTIC CAP | 0.22uF 50V | ケミコン | C80,91 | |
| | UH066470 | ELECTROLYTIC CAP | 4.7uF 50V | ケミコン | C149,126,128 | |
| | UH138470 | ELECTROLYTIC CAP | 470uF 16V | ケミコン | C136 | |
| | UH139100 | ELECTROLYTIC CAP | 1000uF 16V | ケミコン | C18,19,38 | |
| | VJ016200 | ELECTROLYTIC CAP | 10uF 16V | ケミコン | C119 | |
| | VJ016400 | ELECTROLYTIC CAP | 22uF 25V | ケミコン | C120 | |
| | VE392500 | ELECTROLYTIC CAP | 330uF 6.3V | ケミコン | C43,46 | |

*New Parts (新規部品)

ランク : Japan only

CX-630

| Ref. NO. | PART NO. | Description | | | 部 品 名 | Remarks | Markets | 注 |
|----------|----------|-----------------------------|--------|------|------------|--|-----------|---|
| | VE394200 | ELECTROLYTIC CAP | 10uF | 25V | ケミコン | C22-33,53,58,142,143 | | |
| | VG288900 | ELECTROLYTIC CAP | 100uF | 25V | ケミコン | C49,52,54,57,96,101 | | |
| | VG286600 | ELECTROLYTIC CAP | 1000uF | 6.3V | ケミコン | C61,62 | | |
| | VG290200 | ELECTROLYTIC CAP | 0.33uF | 50V | ケミコン | C66,68 | | |
| | VG290500 | ELECTROLYTIC CAP | 1uF | 50V | ケミコン | C84,87 | | |
| | VG290700 | ELECTROLYTIC CAP | 3.3uF | 50V | ケミコン | C67,69 | | |
| | VG290900 | ELECTROLYTIC CAP | 10uF | 50V | ケミコン | C74,79 | | |
| | VE018300 | ELECTROLYTIC CAP | 10uF | 25V | ケミコン | C140,141,144,145 | | |
| | VC780700 | ELECTROLYTIC CAP | 1000uF | 25V | ケミコン | C104,105 | | |
| | VG802500 | ELECTROLYTIC CAP | 4700uF | 50V | ケミコン | C133,134 | | |
| | UK166100 | ELECTROLYTIC CAP | 1uF | 50V | B P ケミコン | C48,34,35,154-157 | | |
| | Fi414100 | CERAMIC CAP | 0.01uF | | スパークキラーコン | C147 | | ⚠ |
| | VB170100 | ELECTROLYTIC CAP | 4.7mF | 5.5V | バックアップケミコン | C123 | | |
| | V1531500 | ELECTROLYTIC CAP | 330uF | 6.3V | ケミコン | C113,114 | | |
| | V1534000 | ELECTROLYTIC CAP | 33uF | 25V | ケミコン | C127 | | |
| | V1534100 | ELECTROLYTIC CAP | 47uF | 25V | ケミコン | C137,138 | | |
| | V1912500 | ELECTROLYTIC CAP | 10uF | 25V | ケミコン | C20,21,40,41,112,115 | | |
| | VB056900 | COIL | 220uH | | コイル | L1,2 | | |
| | VA983500 | COIL | 15uH | | コイル | L3,4 | G | |
| | HV453100 | FLAME PROOF CARBON RESISTOR | 1Ω | 1/4W | 不燃化カーボン抵抗 | R291,298 | | ⚠ |
| | HV453470 | FLAME PROOF CARBON RESISTOR | 4.7Ω | 1/4W | 不燃化カーボン抵抗 | R245,246,255,256 | | ⚠ |
| | HV453220 | FLAME PROOF CARBON RESISTOR | 2.2Ω | 1/4W | 不燃化カーボン抵抗 | R320,321 | U | ⚠ |
| | HV454220 | FLAME PROOF CARBON RESISTOR | 22Ω | 1/4W | 不燃化カーボン抵抗 | R132,197,198,235,258 | | ⚠ |
| | HV454330 | FLAME PROOF CARBON RESISTOR | 33Ω | 1/4W | 不燃化カーボン抵抗 | R92,319 | | ⚠ |
| | HV454390 | FLAME PROOF CARBON RESISTOR | 39Ω | 1/4W | 不燃化カーボン抵抗 | R194 | | ⚠ |
| | HV455100 | FLAME PROOF CARBON RESISTOR | 100Ω | 1/4W | 不燃化カーボン抵抗 | R211,232 | | ⚠ |
| | HV456470 | FLAME PROOF CARBON RESISTOR | 4.7KΩ | 1/4W | 不燃化カーボン抵抗 | R322,323 | U | |
| | HU574100 | METAL FILM RESISTOR | 10Ω | 1/4W | 金属皮膜抵抗 | R248,251,252,279,281,282,284,285 | | |
| | HU574470 | METAL FILM RESISTOR | 47Ω | 1/4W | 金属皮膜抵抗 | R150,155,292,297 | | |
| | HU574560 | METAL FILM RESISTOR | 56Ω | 1/4W | 金属皮膜抵抗 | R137,142 | | |
| | HU574680 | METAL FILM RESISTOR | 68Ω | 1/4W | 金属皮膜抵抗 | R23,24,247,257 | | |
| | HU574820 | METAL FILM RESISTOR | 82Ω | 1/4W | 金属皮膜抵抗 | R21,22 | | |
| | HU575100 | METAL FILM RESISTOR | 100Ω | 1/4W | 金属皮膜抵抗 | R149,152,154,157 | | |
| | HU575120 | METAL FILM RESISTOR | 120Ω | 1/4W | 金属皮膜抵抗 | R67,69,103,107,118,125,162,171 | | |
| | HU575180 | METAL FILM RESISTOR | 180Ω | 1/4W | 金属皮膜抵抗 | R101,108 | | |
| | HU575220 | METAL FILM RESISTOR | 220Ω | 1/4W | 金属皮膜抵抗 | R126,131,209,210,225,227,301,302,1-6,11-14 | | |
| | HU575330 | METAL FILM RESISTOR | 330Ω | 1/4W | 金属皮膜抵抗 | R7,10,15,18,65,135,144,161,172 | | |
| | HU575220 | METAL FILM RESISTOR | 220Ω | 1/4W | 金属被膜抵抗 | R136,143 | U,C,R,A,B | |
| | HU576220 | METAL FILM RESISTOR | 2.2KΩ | 1/4W | 金属被膜抵抗 | R136,143 | G | |
| | HU575470 | METAL FILM RESISTOR | 470Ω | 1/4W | 金属皮膜抵抗 | R102,106,119,123 | | |
| | HU575560 | METAL FILM RESISTOR | 560Ω | 1/4W | 金属皮膜抵抗 | R151,153 | | |
| | HU575680 | METAL FILM RESISTOR | 680Ω | 1/4W | 金属皮膜抵抗 | R203,205 | | |
| | HU576100 | METAL FILM RESISTOR | 1KΩ | 1/4W | 金属被膜抵抗 | R312,313 | G | |
| | HU576100 | METAL FILM RESISTOR | 1KΩ | 1/4W | 金属皮膜抵抗 | R19,20,57,58,99,100,109,110,202,204,234,241,259,275,147,158. | | |

*New Parts (新規部品)

ランク : Japan only

| Ref. NO. | PART NO. | Description | 部 品 名 | Remarks | Markets | ランク |
|----------|----------|----------------------|--------------------|----------|--|---------------|
| | HU576100 | METAL FILM RESISTOR | 1K Ω | 金属皮膜抵抗 | R310, 314-317 | |
| | HU576120 | METAL FILM RESISTOR | 1.2K Ω 1/4W | 金属皮膜抵抗 | R273, 195 | |
| | HU576150 | METAL FILM RESISTOR | 1.5K Ω 1/4W | 金属皮膜抵抗 | | |
| | HU576180 | METAL FILM RESISTOR | 1.8K Ω 1/4W | 金属皮膜抵抗 | R133, 134, 145, 146 | |
| | HU576200 | METAL FILM RESISTOR | 2K Ω 1/4W | 金属皮膜抵抗 | R223, 228, 303, 304 | |
| | HU576220 | METAL FILM RESISTOR | 2.2K Ω 1/4W | 金属皮膜抵抗 | R37, 42, 51, 238, 243, 264, 265, 271, 272, 293, 295, 56 | |
| | HU576270 | METAL FILM RESISTOR | 2.7K Ω 1/4W | 金属皮膜抵抗 | R163, 169 | |
| | HU576330 | METAL FILM RESISTOR | 3.3K Ω 1/4W | 金属皮膜抵抗 | R139, 140, 186, 188, 189, 191, 277 | |
| | HU576270 | METAL FILM RESISTOR | 2.7K Ω 1/4W | 金属皮膜抵抗 | R269 | U |
| | HU576470 | METAL FILM RESISTOR | 4.7K Ω 1/4W | 金属皮膜抵抗 | R269 | C, R, A, B, G |
| | HU576470 | METAL FILM RESISTOR | 4.7K Ω 1/4W | 金属皮膜抵抗 | R70, 73, 74, 77, 78, 81, 82, 85, 86, 89, 159, 160, 192, 193, 196, 201, 206-208, | |
| | HU576510 | METAL FILM RESISTOR | 5.1K Ω 1/4W | 金属皮膜抵抗 | 219, 268, 274, 289 | |
| | HU576680 | METAL FILM RESISTOR | 6.8K Ω 1/4W | 金属皮膜抵抗 | R166, 167 | |
| | HU576820 | METAL FILM RESISTOR | 8.2K Ω 1/4W | 金属皮膜抵抗 | R148, 156, 267 | |
| | HU576910 | METAL FILM RESISTOR | 9.1K Ω 1/4W | 金属皮膜抵抗 | R242, 250, 253, 290 | |
| | HU577100 | METAL FILM RESISTOR | 10K Ω 1/4W | 金属皮膜抵抗 | R305, 306 | |
| | HU577150 | METAL FILM RESISTOR | 15K Ω 1/4W | 金属皮膜抵抗 | R68, 177, 178, 183, 217, 218, 266, 270, 278, 287, 294, 296, 309, 300 | |
| | HU577180 | METAL FILM RESISTOR | 18K Ω 1/4W | 金属皮膜抵抗 | R66 | |
| | HU577220 | METAL FILM RESISTOR | 22K Ω 1/4W | 金属皮膜抵抗 | R233, 236, 249, 254, 261 | |
| | HU577330 | METAL FILM RESISTOR | 33K Ω 1/4W | 金属皮膜抵抗 | R38, 40, 52, 54, 71, 72, 75, 76, 79, 80, 83, 84, 87, 88, 199, 200, 212, 222, 229, 239, 262 | |
| | HU577470 | METAL FILM RESISTOR | 47K Ω 1/4W | 金属皮膜抵抗 | R164, 170 | |
| | HU577620 | METAL FILM RESISTOR | 62K Ω 1/4W | 金属皮膜抵抗 | R138, 141, 214 | |
| | HU577820 | METAL FILM RESISTOR | 82K Ω 1/4W | 金属皮膜抵抗 | R165, 168 | |
| | HU578100 | METAL FILM RESISTOR | 100K Ω 1/4W | 金属皮膜抵抗 | R276 | |
| | HU578120 | METAL FILM RESISTOR | 120K Ω 1/4W | 金属皮膜抵抗 | R8, 9, 16, 17, 25-36, 41, 43-50, 53, 55, 184, 185, | |
| | HU598220 | METAL FILM RESISTOR | 220K Ω 1/4W | 金属皮膜抵抗 | 215, 299, 307, 308, 224, 226, 311 | |
| | V1515500 | METAL FILM RESISTOR | 330K Ω 1/4W | 金属皮膜抵抗 | R175, 180 | |
| | HU578470 | METAL FILM RESISTOR | 470K Ω 1/4W | 金属皮膜抵抗 | R59-64, 90, 91, 93-95, 263 | |
| | HU579100 | METAL FILM RESISTOR | 1M Ω 1/4W | 金属皮膜抵抗 | 111-113, 216, 237, 240 | |
| | HL324820 | METAL OXIDE RESISTOR | 82 Ω 2W | 酸化金属被膜抵抗 | R127-130 | |
| | IG069200 | IC | NJM2041D-D | IC | R176, 179, 187, 190 | |
| | IG092100 | IC | H5219L OPAMP | IC | R173, 174, 181, 182 | |
| | XA673A00 | IC | NJM5532D-D | IC | R280, 283 | |
| | IG152500 | IC | BA6229 | IC15 | IC1-5, 11-13 | |
| | XD524001 | IC | LA7952 | IC | IC9, 10 | |
| | XG990B00 | IC | LC6512A-4354 | IC | IC14 | |
| | | | | | IC6 | |
| | | | | | IC8 | |

*New Parts (新規部品)

ランク : Japan only

CX-630

| Ref. NO. | PART NO. | Description | 部 品 名 | | Remarks | Markets | ランク |
|----------|----------|--------------------------|-----------------|---------------|---|---------|-----|
| | XA540001 | IC | LB1294 | I C | IC7 | | |
| | VF926500 | LIGHT DETECTING MODULE | GP1U501X | リモコン受光ユニット | U1 | | |
| | VG707400 | PUSH SWITCH | | ブッシュSW | SW10 | | |
| | VG237400 | ROTARY SWITCH | SRBU16019A | ロータリーSW | SW7 | | |
| | VF337700 | PUSH SWITCH | SPUL19 | ブッシュSW | SW3-G | | |
| | VJ004000 | PUSH SWITCH | | ブッシュSW | SW2 | | |
| | VA983800 | PUSH SWITCH | SPUN | ブッシュSW | SW1 | | |
| | VE327300 | PUSH SWITCH | | ブッシュSW | SW8,9 | | |
| | KB002980 | FUSE | 2.5A | ヒューズ | F1 | G | |
| | VD506000 | RELAY | AC DG12D1-0(H) | リレー | RY1 | | |
| | LA002580 | LAPPING TERMINAL | 2P I-102NB | ラッピング端子 | TE1,4 | | |
| | LA002150 | LAPPING TERMINAL | 3P I-103NA | ラッピング端子 | TE2 | | |
| | LA003870 | LAPPING TERMINAL | 2P L-102NE | ラッピング端子 | TE3 | | |
| | LB202900 | PIN JACK | T5959 | ピンコネクタ | PJ1 | | |
| | LB401290 | PIN JACK | T5857-A | ピンコネクタ | PJ2-5 | | |
| | VE776700 | PIN JACK | T5857-AAED | ピンジャック | PJ6 | | |
| | Vi783800 | PHONES JACK | M1659-AAAC | ヘッドホーンジャック | JK2 | | |
| | Vi435500 | MINI JACK | YKB21-5130 | ミニジャック | JK1 | | |
| | LB500710 | SOCKET | 5P W-P5505 | STコネクタースOCKET | JK3 | | |
| | LB608390 | SOCKET | 6P W-P5506 | STコネクタースOCKET | JK4 | | |
| | VD004500 | BASE PIN | PH 2P TE | ベースピン | CB3 | | |
| | VD004600 | BASE PIN | PH 3P TE | ベースピン | CB1 | | |
| | VD004700 | BASE PIN | PH 4P TE | ベースピン | CB4 | | |
| | VD005100 | BASE PIN | PH 8P TE | ベースピン | CB2 | | |
| | GG000700 | CERAMIC RESONATOR | 400K PCR400K2H | セラミック振動子 | XL1 | | |
| | VE854600 | POTENTIOMETER | MN30K RK163122 | 二連ロータリーV R | VR3 | | |
| | VF338000 | POTENTIOMETER | 18K RK163122 | 二連ロータリーV R | VR4 | | |
| | VA984800 | POTENTIOMETER | 20K RKDA2A | 二連ロータリーV R | VR5 | | |
| | VF990900 | POTENTIOMETER | 30K RK163122 | 二連ロータリーV R | VR2 | | |
| | Vi619200 | POTENTIOMETER WITH MOTOR | 60K RK18112MA | モーター付V R | VR1 | | |
| | iA101521 | TRANSISTOR | 2SA1015 Y | トランジスタ | Q25, 41, 42, 45, 46, 58, 64, 67, 73 | | |
| | iA097000 | TRANSISTOR | 2SA970 | トランジスタ | Q75 | U | |
| | iB056020 | TRANSISTOR | 2SB560 | トランジスタ | Q51, 56 | | |
| | iB094910 | TRANSISTOR | 2SD949 P, Q, R | トランジスタ | Q39, 65 | | |
| | iC287820 | TRANSISTOR | 2SC2878 A, B | トランジスタ | Q1-24, 35-38, 50, 52-55, 60-71 | | |
| | iC1815C0 | TRANSISTOR | 2SC1815 Y | トランジスタ | Q26, 40, 44, 60, 62, 63, 66, 68, 74 | | |
| | iC1815C0 | TRANSISTOR | 2SC1815 Y | トランジスタ | Q76 | U | |
| | iC224000 | TRANSISTOR | 2SC2240 GR, BL | トランジスタ | Q47, 50 | | |
| | iD043810 | TRANSISTOR | 2SD438 | トランジスタ | Q49, 57 | | |
| | iD127510 | TRANSISTOR | 2SD1275 P, Q, R | トランジスタ | Q61 | | |
| | iD078600 | TRANSISTOR | 2SD786 Q, R, S | トランジスタ | Q27-30 | | |
| | VC407900 | TRANSISTOR | 2SD1913 R, S | トランジスタ | Q48 | | |
| | iE102480 | FET | 2SK170 GR, BL | F E T | Q31-34 | | |
| | iF004600 | DIODE | 1SS133 T-77 | ダイオード | D1, 2, 13-15, 19-26, 29, 31, 38-40, 42-52 | | △ |
| | VH801600 | DIODE | 1SR139-100 | ダイオード | D32-37, 41 | | △ |
| | VG437600 | ZENER DIODE | HTZJ5.6A | ツェナーダイオード | D12, 30 | | |

*New Parts (新規部品)

ランク : Japan only

| Ref. NO. | PART NO. | Description | 部 品 名 | Remarks | Markets | ランク |
|----------|----------|--------------------|--------------|-----------|---------|-----------|
| | VG438000 | ZENER DIODE | MTZJ6.2B | ツェナーダイオード | D27 | |
| | VG436400 | ZENER DIODE | MTZJ3.6B | ツェナーダイオード | D28 | U |
| | VG438000 | ZENER DIODE | MTZJ6.2B | ツェナーダイオード | D28 | C,R,A,B,G |
| | VG440300 | ZENER DIODE | MTZJ12C | ツェナーダイオード | D18 | |
| | VG442600 | ZENER DIODE | MTZJ24C | ツェナーダイオード | D53-56 | |
| | Vi013600 | LED | SLR-34VC3H3 | L E D | D11,16 | |
| | VF402500 | LED | SLR-34DC3H3 | L E D | D5-10 | |
| | LB201060 | FUSE HOLDER PIN | YSH403T | ヒューズホルダ | | G |
| | VB966900 | PIN | INSA-6024 | スタイルピン | | |
| | BA092970 | RADIATOR | | 放熱器 | | |
| | ED330066 | BINDING HEAD SCREW | 3x6 FCRM3-BL | +バインド小ネジ | | |
| | BB069510 | GROUND PLATE | | ランド金具 | | |
| | | | | | | |
| | | | | | | |
| | | | | | | |
| | | | | | | |
| | | | | | | |
| | | | | | | |
| | | | | | | |
| | | | | | | |
| | | | | | | |
| | | | | | | |

CX-630

*New Parts (新規部品)

ランク : Japan only

A

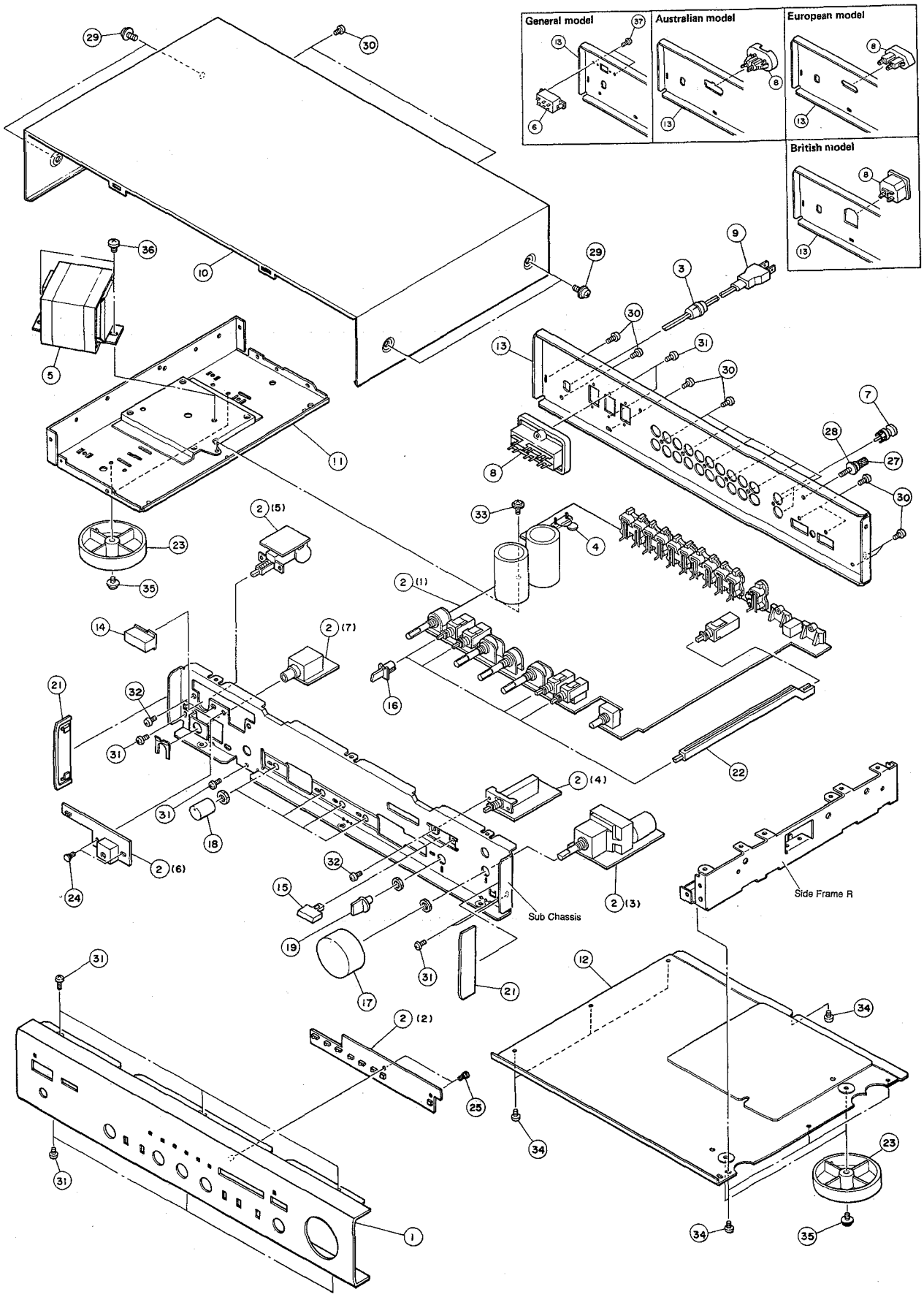
B

C

D

CX-630

EXPLODED VIEW



MECHANISM PARTS

| Ref. NO. | PART NO. | Description | 部 品 名 | Remarks | Markets | 注 |
|----------|----------|--------------------|-------------|----------------|------------|---|
| 01 | Vi589900 | PANEL UNIT | パネルユニット | BL | | |
| 01 | Vi590100 | PANEL UNIT | パネルユニット | T | | |
| 02 | Vi590300 | MAIN CIRCUIT BOARD | メインシート | | C | |
| 02 | Vi590500 | MAIN CIRCUIT BOARD | メインシート | | A, B | |
| 02 | Vi590600 | MAIN CIRCUIT BOARD | メインシート | | G | |
| 02 | Vi590400 | MAIN CIRCUIT BOARD | メインシート | | R | |
| 02 | VJ550700 | MAIN CIRCUIT BOARD | メインシート | | U | |
| 03 | CB620200 | CORD STOPPER | コードストッパー | CM-22C | U, C | |
| 03 | CB620190 | CORD STOPPER | コードストッパー | CM-22B | R, A, B, G | |
| 04 | F1384100 | CERAMIC CAP | 規格認定コン | 0.01uF 400V | A, B | |
| 05 | XG997A00 | POWER TRANSFORMER | 電源トランス | | U, C | ⚠ |
| 05 | XG998A00 | POWER TRANSFORMER | 電源トランス | | R | ⚠ |
| 05 | XG999A00 | POWER TRANSFORMER | 電源トランス | | A, B | ⚠ |
| 05 | XH000A00 | POWER TRANSFORMER | 電源トランス | | G | ⚠ |
| 06 | VE962600 | SLIDE SWITCH | スライドSW | SDKGM4 U.S.B.V | R | |
| 07 | LB100180 | SHORT PLUG | ショートプラグ | P2144 | U, C, R | |
| 08 | LB608160 | AC OUTLET | 電源コネクタ | 3P | A | |
| 08 | VC626100 | AC OUTLET | 電源コネクタ | S2-739T | B | |
| 08 | VC627000 | AC OUTLET | 電源コネクタ | CM-20 | G | |
| 08 | Vi783900 | AC OUTLET | 電源コネクタ | | | |
| 09 | MG002220 | POWER CORD | 電源コード | 10A | U, C | |
| 09 | VE371000 | POWER CORD | 電源コード | 6A 2M | R | |
| 09 | MG002310 | POWER CORD | 電源コード | 7.5A | A | |
| 09 | MG002330 | POWER CORD | 電源コード | 6A | B | |
| 09 | MG002320 | POWER CORD | 電源コード | 2.5A | G | |
| 10 | Vi066000 | TOP COVER | トップカバー | BL | | |
| 10 | Vi066100 | TOP COVER | トップカバー | T | | |
| 11 | Vi447600 | FRAME L | フレーム L | | | |
| 12 | Vi493900 | BOTTOM COVER | ボトムカバー | | | |
| 13 | Vi066900 | REAR PANEL | リヤパネル | | U, C | |
| 13 | Vi067000 | REAR PANEL | リヤパネル | | R, P | |
| 13 | Vi067100 | REAR PANEL | リヤパネル | | A | |
| 13 | Vi067200 | REAR PANEL | リヤパネル | | B | |
| 13 | Vi067300 | REAR PANEL | リヤパネル | | G | |
| 14 | VH841900 | BUTTON | ボタン | 10/25 | BL | |
| 14 | VH842000 | BUTTON | ボタン | 10/25 | T | |
| 15 | VH877000 | BUTTON | ボタン | 6/19 | BL | |
| 15 | VH877100 | BUTTON | ボタン | 6/19 | T | |
| 16 | Vi210300 | BUTTON | ボタン | 3x6 | BL | |
| 16 | Vi210200 | BUTTON | ボタン | 3x6 | T | |
| 17 | Vi065300 | KNOB | ノブ | D40 | BL | |
| 17 | Vi065400 | KNOB | ノブ | D40 | T | |
| 18 | VH889200 | KNOB | ノブ | D14 | BL | |
| 18 | VH889300 | KNOB | ノブ | D14 | T | |
| 19 | Vi251000 | KNOB | ノブ | D14 | BL | |
| 19 | Vi251100 | KNOB | ノブ | D14 | T | |
| 20 | Vi922500 | SHEET ISOLATION | シートアイソレーション | | | |
| 21 | Vi068400 | SIDE COVER | サイドカバー | BL | | |
| 21 | Vi068500 | SIDE COVER | サイドカバー | T | | |
| 22 | CB651340 | ROD | ロッド | | | |

*New Parts (新規部品)

ランク : Japan only

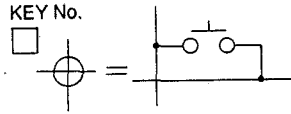
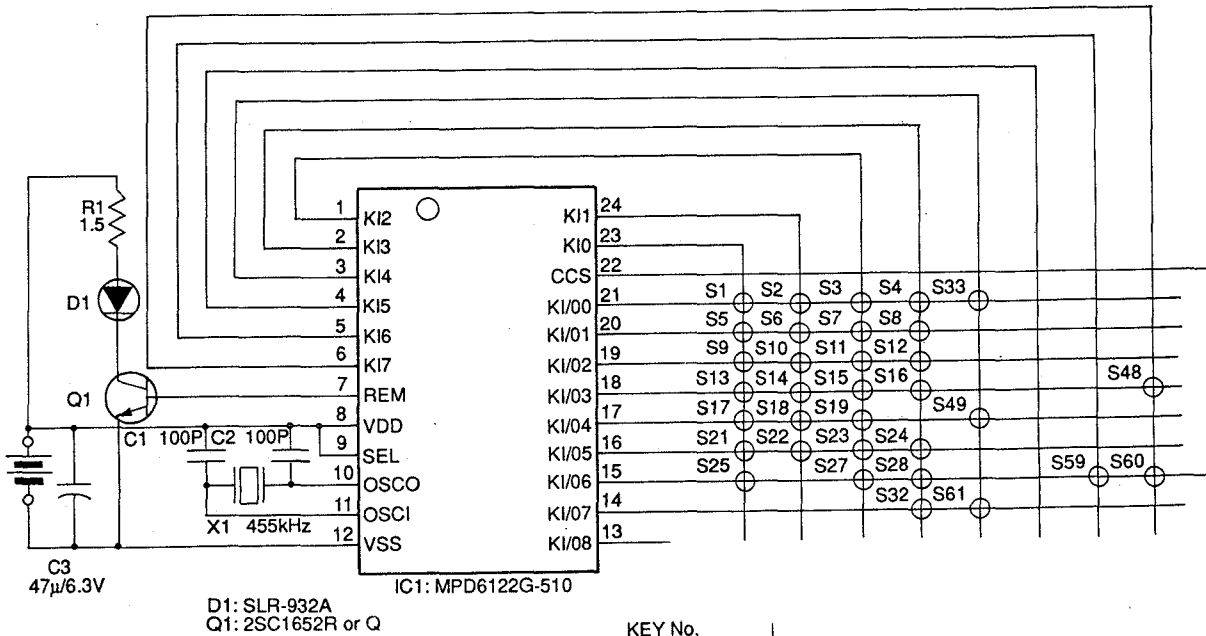
CX-630

| Ref. NO. | PART NO. | Description | | 部 品 名 | Remarks | Markets | ランク |
|----------|----------|------------------------------|--------------------|--------------|---------|---------|-----|
| 23 | VF639400 | LEG | | レッグ | BL | | |
| 23 | VI031600 | LEG | | レッグ | T | | |
| 24 | CB605620 | PLASTIC RIVET | NO.1057 | ブラリベット | | | |
| 25 | CB068880 | PLASTIC RIVET | #1027 | ブラリベット | | | |
| 26 | CB069251 | BINDING TIE | BK-1 | 束線止め | | | |
| 27 | AA627310 | GROUND TERMINAL | | GNDターミナル | | | |
| 28 | EX600870 | PLAIN WASHER | 3.6x10x0.8 FNM3-3G | 平座金みがき丸 | | | |
| 29 | EX601080 | CUP SCREW | 4x8-10 FCM3-BL | カップネジ | BL | | |
| 29 | EX601150 | BW HEAD S-TYTE SCREW | 4x8-10 FNM3-BL | BWヘッドSタイトネジ | T | | |
| 30 | EZ000460 | BIND HEAD BONDING TAP. SCREW | 3x8 FCM3-BL | ボンディングタッピング | | | |
| 31 | E1330086 | BINDING HEAD TAPPING SCREW | 3x8 FCRM3-BL | バインドタッピングネジ | | | |
| 32 | ED330066 | BINDING HEAD SCREW | 3x6 FCRM3-BL | バインド小ネジ | | | |
| 33 | EX600240 | BW HEAD TAPPING SCREW | 3x8 FCM3-BL | BWヘッドタッピングネジ | | | |
| 34 | E1330066 | BINDING HEAD TAPPING SCREW | 3x6 FCRM3-BL | バインドタッピングネジ | | | |
| 35 | EK336020 | BW HEAD TAPPING SCREW | 3x6 FCM3-BL | BWヘッドタッピングネジ | | | |
| 36 | E1340086 | BINDING HEAD TAPPING SCREW | 4x8 FCRM3-BL | バインドタッピングネジ | | | |
| 37 | EJ326086 | PAN HEAD TAPPING SCREW | 2.6x8 ZMC2-BL | ナベタッピングネジ | | R,P | |
| | | ACCESSORIES | | 付属品 | | | |
| | V1467600 | REMOTE CONTROL TRANSMITTER | RS-CX630 | トランスミッター | | | |
| | CX613770 | LID | | 電池蓋 | | | |
| | | DRY CELL | UM-4,R03,AAA | マンガン電池 | | | |
| | VE914600 | ACCESSORIES ASSY | | 付属品ASSY | | | |
| | M1066210 | PIN CORD | 1.2M | 出力コード | | | |
| | VA945800 | CONNECTOR | 500MM | ハーネス | | | |
| | VA945900 | CONNECTOR | 500MM | ハーネス | | | |
| | M1081780 | CORD WITH MINI-PLUG | 1.2M | ミニプラグコード | | | |
| | | | | | | | |
| | | | | | | | |
| | | | | | | | |
| | | | | | | | |
| | | | | | | | |

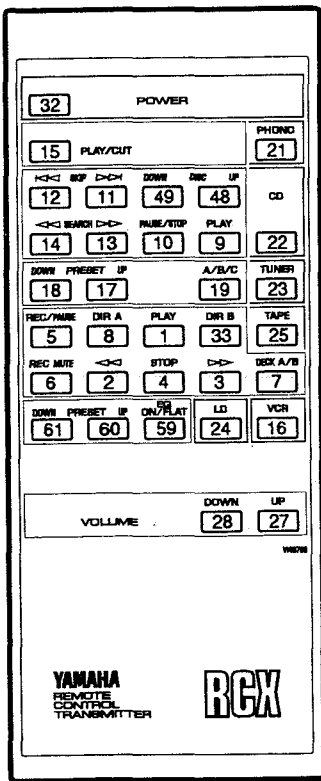
*New Parts (新規部品)

ランク : Japan only

• European, British, Australian and General models



C0 C1 C2 C3 C4 C5 C6 C7
CUSTOM CODE : 0 1 0 1 1 1 1 0

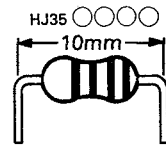


| KEY No. | DATA CODE | | | | | | | FUNCTION | |
|---------|-----------|----|----|----|----|----|----|----------|---------------------|
| | D0 | D1 | D2 | D3 | D4 | D5 | D6 | | D7 |
| 1 | 0 | 0 | 0 | 0 | 0 | 0 | 0 | 0 | PLAY (TAPE) |
| 2 | 1 | 0 | 0 | 0 | 0 | 0 | 0 | 0 | ◀◀ (TAPE) |
| 3 | 0 | 1 | 0 | 0 | 0 | 0 | 0 | 0 | ▶▶ (TAPE) |
| 4 | 1 | 1 | 0 | 0 | 0 | 0 | 0 | 0 | STOP (TAPE) |
| 5 | 0 | 0 | 1 | 0 | 0 | 0 | 0 | 0 | REC/PAUSE (TAPE) |
| 6 | 1 | 0 | 1 | 0 | 0 | 0 | 0 | 0 | REC MUTE (TAPE) |
| 7 | 0 | 1 | 1 | 0 | 0 | 0 | 0 | 0 | DECK A/B (TAPE) |
| 8 | 1 | 1 | 1 | 0 | 0 | 0 | 0 | 0 | DIR A (TAPE) |
| 9 | 0 | 0 | 0 | 1 | 0 | 0 | 0 | 0 | PLAY (CD) |
| 10 | 1 | 0 | 0 | 1 | 0 | 0 | 0 | 0 | PAUSE/STOP (CD) |
| 11 | 0 | 1 | 0 | 1 | 0 | 0 | 0 | 0 | SKIP ▶▶ (CD) |
| 12 | 1 | 1 | 0 | 1 | 0 | 0 | 0 | 0 | SKIP ◀◀ (CD) |
| 13 | 0 | 0 | 1 | 1 | 0 | 0 | 0 | 0 | SEARCH ▶▶ (CD) |
| 14 | 1 | 0 | 1 | 1 | 0 | 0 | 0 | 0 | SEARCH ◀◀ (CD) |
| 15 | 0 | 1 | 1 | 1 | 0 | 0 | 0 | 0 | PLAY/CUT (PHONO) |
| 16 | 1 | 1 | 1 | 1 | 0 | 0 | 0 | 0 | VCR |
| 17 | 0 | 0 | 0 | 0 | 1 | 0 | 0 | 0 | PRESET UP (TUNER) |
| 18 | 1 | 0 | 0 | 0 | 1 | 0 | 0 | 0 | PRESET DOWN (TUNER) |
| 19 | 0 | 1 | 0 | 0 | 1 | 0 | 0 | 0 | A/B/C (TUNER) |
| 21 | 0 | 0 | 1 | 0 | 1 | 0 | 0 | 0 | PHONO |
| 22 | 1 | 0 | 1 | 0 | 1 | 0 | 0 | 0 | CD |
| 23 | 0 | 1 | 1 | 0 | 1 | 0 | 0 | 0 | TUNER |
| 24 | 1 | 1 | 1 | 0 | 1 | 0 | 0 | 0 | LD |
| 25 | 0 | 0 | 0 | 1 | 1 | 0 | 0 | 0 | TAPE 1 |
| 27 | 0 | 1 | 0 | 1 | 1 | 0 | 0 | 0 | VOLUME UP |
| 28 | 1 | 1 | 0 | 1 | 1 | 0 | 0 | 0 | VOLUME DOWN |
| 32 | 1 | 1 | 1 | 1 | 1 | 0 | 0 | 0 | POWER |
| 33 | 0 | 0 | 0 | 0 | 0 | 1 | 0 | 0 | DIR B (TAPE) |
| 48 | 1 | 1 | 1 | 1 | 0 | 0 | 1 | 0 | DISK UP (CD) |
| 49 | 0 | 0 | 0 | 0 | 1 | 0 | 1 | 0 | DISK DOWN (CD) |
| 59 | 0 | 1 | 0 | 1 | 1 | 0 | 1 | 0 | ON/FLAT (EQ) |
| 60 | 1 | 1 | 0 | 1 | 1 | 0 | 1 | 0 | PRESET UP (EQ) |
| 61 | 0 | 0 | 1 | 1 | 1 | 0 | 1 | 0 | PRESET DOWN (EQ) |

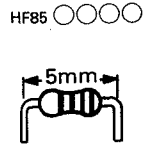
Parts List for Carbon Resistors

| Value | 1/4W Type Part No. | 1/6W Type Part No. | Value | 1/4W Type Part No. | 1/6W Type Part No. |
|-------|--------------------|--------------------|-------|--------------------|--------------------|
| 1.0Ω | HJ35 3100 | ※ | 12KΩ | HJ35 7120 | HF85 7120 |
| 1.8″ | HJ35 3180 | ※ | 15″ | HJ35 7150 | HF85 7150 |
| 2.2″ | HJ35 3220 | HF85 3220 | 18″ | HJ35 7180 | HF85 7180 |
| 3.3″ | HJ35 3330 | HF85 3330 | 22″ | HJ35 7220 | HF85 7220 |
| 4.7″ | HJ35 3470 | HF85 3470 | 27″ | HJ35 7270 | HF85 7270 |
| 5.6″ | HJ35 3560 | HF85 3560 | 33″ | HJ35 7330 | HF85 7330 |
| 10″ | HJ35 4100 | HF85 4100 | 39″ | HJ35 7390 | HF85 7390 |
| 15″ | HJ35 4150 | HF85 4150 | 47″ | HJ35 7470 | HF85 7470 |
| 22″ | HJ35 4220 | HF85 4220 | 56″ | HJ35 7560 | HF85 7560 |
| 27″ | HJ35 4270 | HF85 4270 | 68″ | HJ35 7680 | HF85 7680 |
| 33″ | HJ35 4330 | HF85 4330 | 82″ | HJ35 7820 | HF85 7820 |
| 39″ | HJ35 4390 | HF85 4390 | 91″ | HJ35 7910 | HF85 7910 |
| 47″ | HJ35 4470 | HF85 4470 | 100″ | HJ35 8100 | HF85 8100 |
| 56″ | HJ35 4560 | HF85 4560 | 120″ | HJ35 8120 | HF85 8120 |
| 68″ | HJ35 4680 | HF85 4680 | 150″ | HJ35 8150 | HF85 8150 |
| 82″ | HJ35 4820 | HF85 4820 | 180″ | HJ35 8180 | HF85 8180 |
| 100″ | HJ35 5100 | HF85 5100 | 220″ | HJ35 8220 | HF85 8220 |
| 110″ | HJ35 5110 | HF85 5100 | 270″ | HJ35 8270 | HF85 8270 |
| 120″ | HJ35 5120 | HF85 5120 | 330″ | HJ35 8330 | HF85 8330 |
| 150″ | HJ35 5150 | HF85 5150 | 390″ | HJ35 8390 | HF85 8390 |
| 160″ | HJ35 5160 | ※ | 470″ | HJ35 8470 | HF85 8470 |
| 180″ | HJ35 5180 | HF85 5180 | 560″ | HJ35 8560 | HF85 8560 |
| 220″ | HJ35 5220 | HF85 5220 | 680″ | HJ35 8680 | HF85 8680 |
| 270″ | HJ35 5270 | HF85 5270 | 820″ | HJ35 8820 | HF85 8820 |
| 330″ | HJ35 5330 | HF85 5330 | 1.0MΩ | HJ35 9100 | HF85 9100 |
| 390″ | HJ35 5390 | HF85 5390 | 1.2″ | HJ35 9120 | ※ |
| 470″ | HJ35 5470 | HF85 5470 | 1.5″ | HJ35 9150 | HF85 9150 |
| 510″ | ※ | HF85 5510 | 1.8″ | HJ35 9180 | HF85 9180 |
| 560″ | HJ35 5560 | HF85 5560 | 2.2″ | HJ35 9220 | HF85 9220 |
| 680″ | HJ35 5680 | HF85 5680 | 3.3″ | HJ35 9330 | HF85 9330 |
| 820″ | HJ35 5820 | HF85 5820 | 3.9″ | HJ35 9390 | ※ |
| 910″ | HJ35 5910 | HF85 5910 | 4.7″ | HJ35 9470 | ※ |
| 1.0KΩ | HJ35 6100 | HF85 6100 | | | |
| 1.2″ | HJ35 6120 | HF85 6120 | | | |
| 1.5″ | HJ35 6150 | HF85 6150 | | | |
| 1.8″ | HJ35 6180 | HF85 6180 | | | |
| 2.0″ | HJ35 6200 | HF85 6200 | | | |
| 2.2″ | HJ35 6220 | HF85 6220 | | | |
| 2.4″ | HJ35 6240 | HF85 6240 | | | |
| 2.7″ | HJ35 6270 | HF85 6270 | | | |
| 3.0″ | HJ35 6300 | HF85 6300 | | | |
| 3.3″ | HJ35 6330 | HF85 6330 | | | |
| 3.6″ | HJ35 6360 | HF85 6360 | | | |
| 3.9″ | HJ35 6390 | HF85 6390 | | | |
| 4.7″ | HJ35 6470 | HF85 6470 | | | |
| 5.1″ | HJ35 6510 | HF85 6510 | | | |
| 5.6″ | HJ35 6560 | HF85 6560 | | | |
| 6.8″ | HJ35 6680 | HF85 6680 | | | |
| 8.2″ | HJ35 6820 | HF85 6820 | | | |
| 9.1″ | HJ35 6910 | HF85 6910 | | | |
| 10″ | HJ35 7100 | HF85 7100 | | | |

1/4W Type



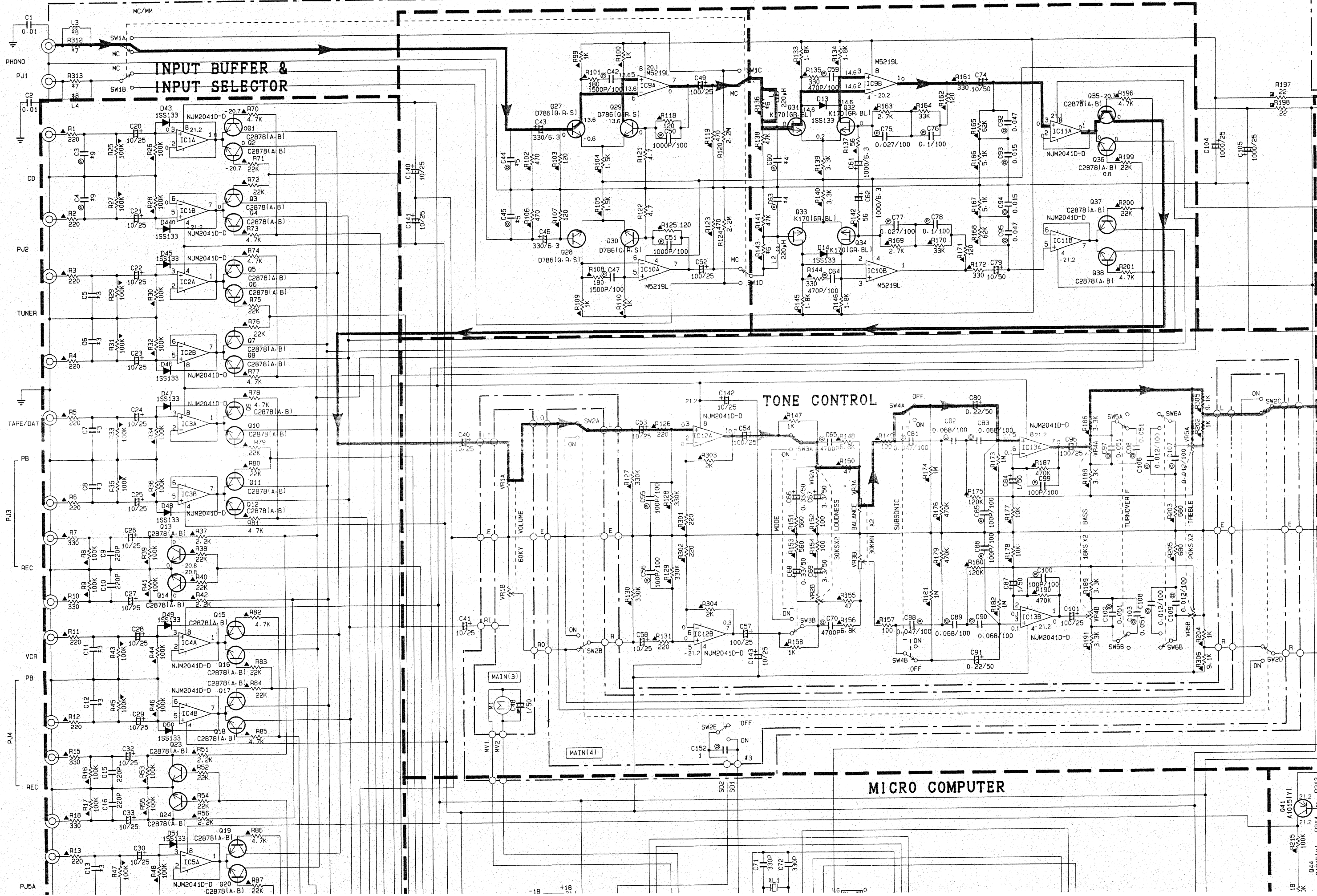
1/6W Type

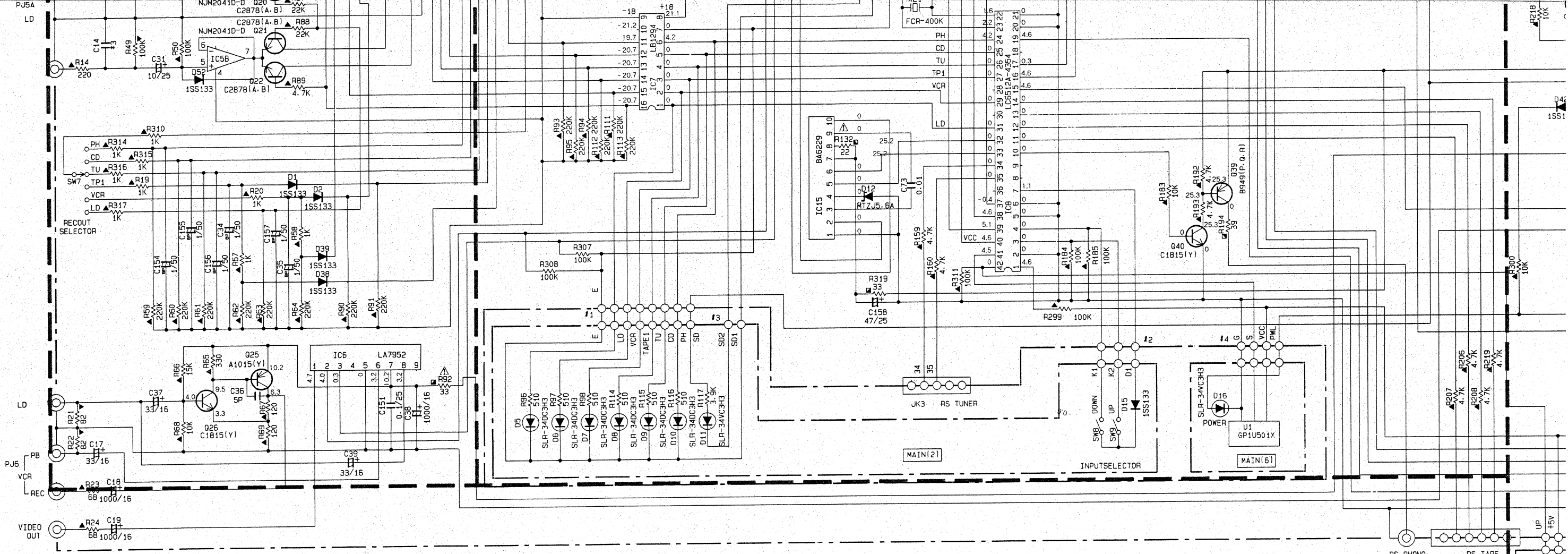


SCHEMATIC DIAGRAM

MC HEAD AMP.

PHONO EQ





| | | | | | |
|--|-------------------------------------|----------------|--------------------------|--------------|--------|
| 2SA1015(Y) 2SB560(E, F) 2SC2878(A, B) 2SC1815(Y) 2SD438(E, F) 2SD786(Q, R, S) | 2SB949(P, Q, R) 2SD1275(P, Q, R) | 2SD1913(R, S) | NJM2041D-D NJM5532D-D | LB1294 | M5219L |
| | | | | | |
| 1SS133 1SR139-100T62 MTZJ3.6A MTZJ5.6A MTZJ6.2B MTZJ12C | SLR-34VC3H3 SLR-34DC3H3 | 2SK170(GR, BL) | LA7952 | LC6512A-4264 | BA6229 |
| | | | | | |

PHONO EQ

RESISTOR

| REMARKS | PARTS NAME |
|---------|---------------------------------|
| NO MARK | CARBON FILM RESISTOR (1/6W) |
| □ | CARBON FILM RESISTOR (1/4W) |
| △ | METAL OXIDE FILM RESISTOR |
| ▲ | METAL FILM RESISTOR |
| ⊠ | METAL PLATE RESISTOR |
| ■ | FIRE PROOF CARBON FILM RESISTOR |
| □ | CEMENT MOLDED RESISTOR |
| ⊖ | SEMI VARIABLE RESISTOR |
| ■ | CHIP RESISTOR |

RESISTOR

| REMARKS | PARTS NAME |
|---------|---------------------------------|
| NO MARK | CARBON FILM RESISTOR (1/6W) |
| □ | CARBON FILM RESISTOR (1/4W) |
| △ | METAL OXIDE FILM RESISTOR |
| ▲ | METAL FILM RESISTOR |
| ⊠ | METAL PLATE RESISTOR |
| ■ | FIRE PROOF CARBON FILM RESISTOR |
| □ | CEMENT MOLDED RESISTOR |
| ⊖ | SEMI VARIABLE RESISTOR |
| ■ | CHIP RESISTOR |

NOTICE

(J)..... Japanese model
 (U)..... U.S.A model
 (C)..... Canadian model
 (A)..... Australian model
 (G)..... European model
 (B)..... British model
 (R)..... General model
 (P)..... AP model

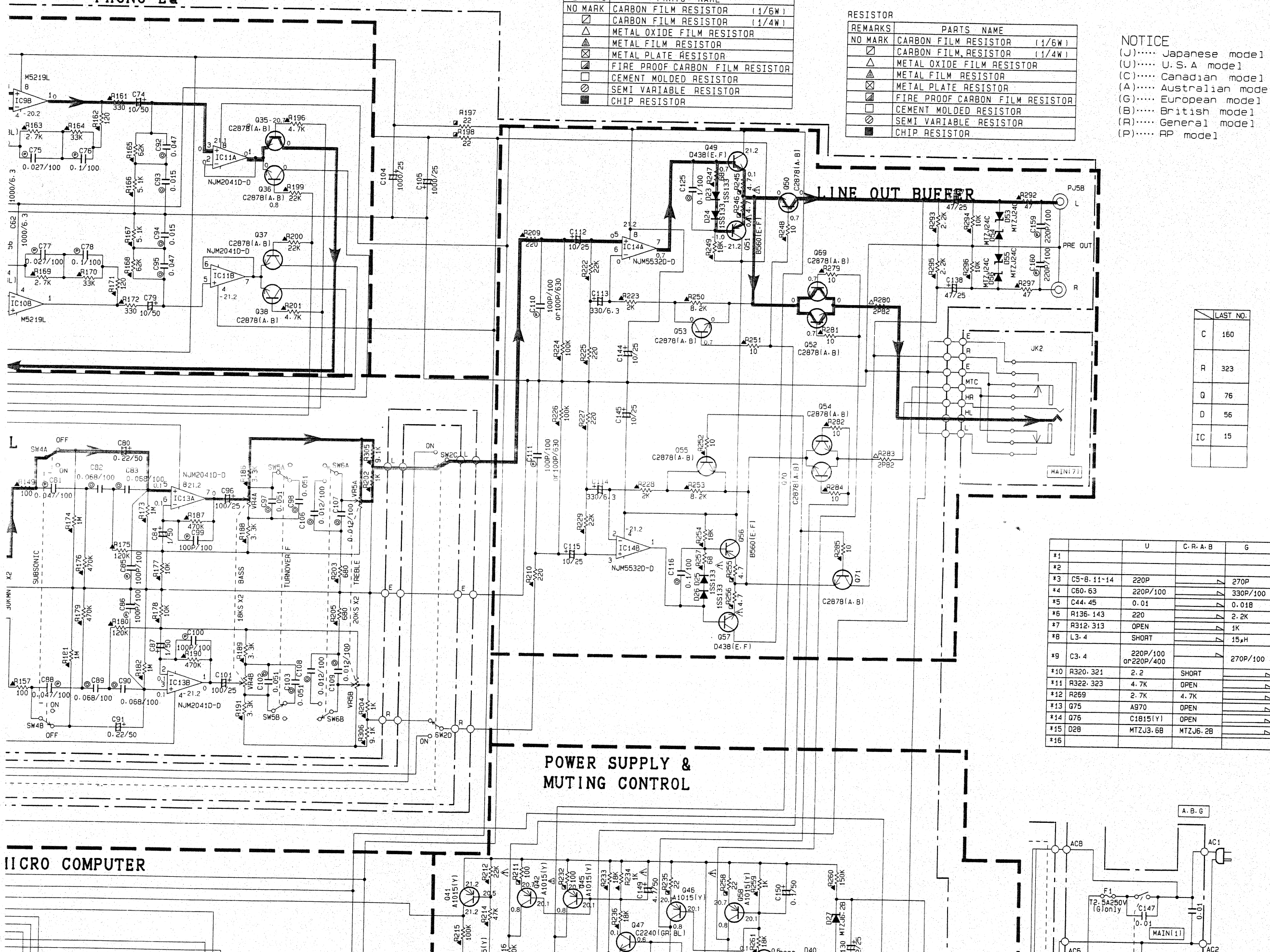
LINE OUT BUFFER

POWER SUPPLY & MUTING CONTROL

| | LAST NO. |
|----|----------|
| C | 160 |
| R | 323 |
| Q | 76 |
| D | 56 |
| IC | 15 |

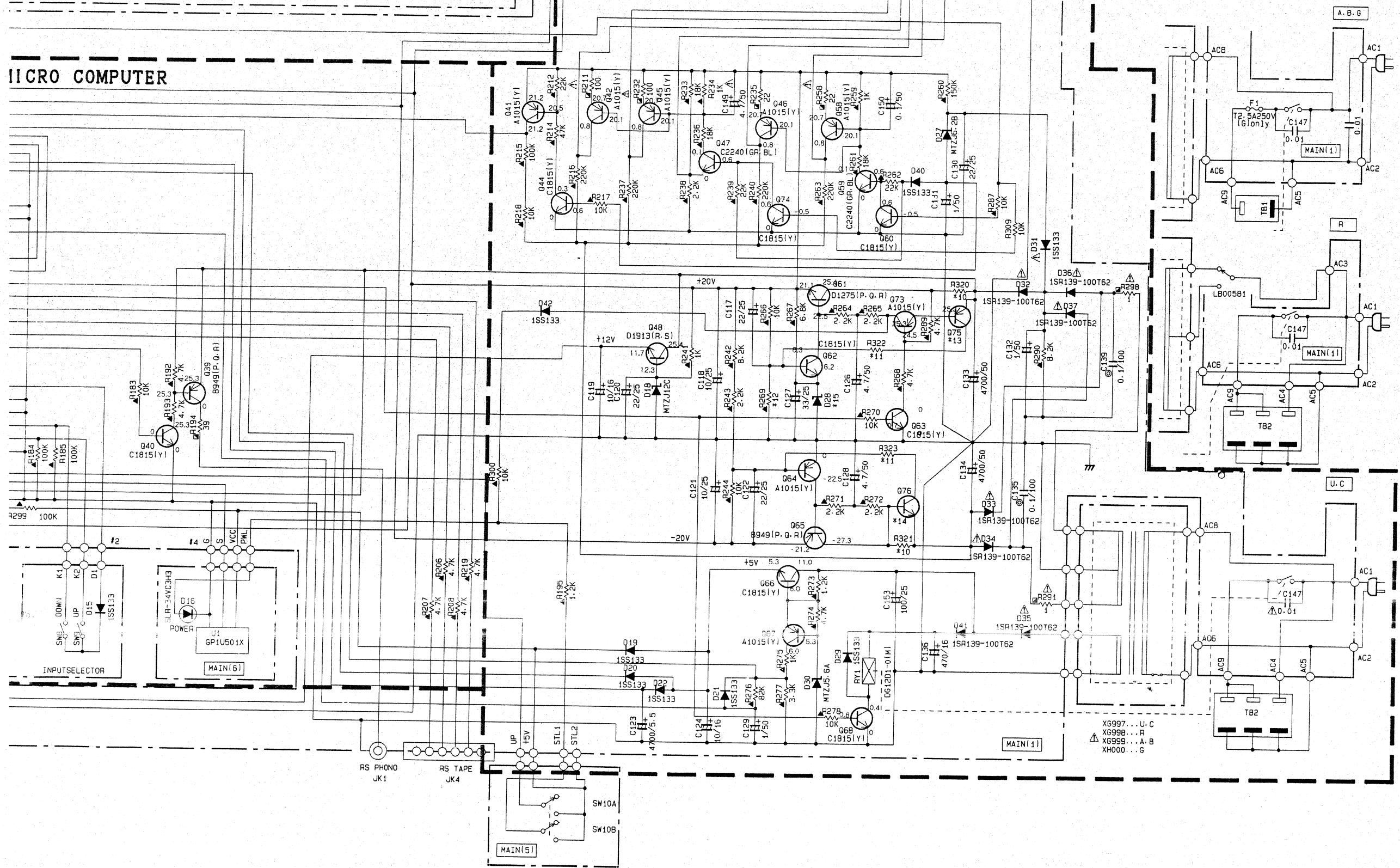
| # | U | C.R.A.B | G |
|-----|------------|-------------------------|----------|
| #1 | | | |
| #2 | | | |
| #3 | C5-B.11-14 | 220P | 270P |
| #4 | C60.63 | 220P/100 | 330P/100 |
| #5 | C44.45 | 0.01 | 0.01B |
| #6 | R136.143 | 220 | 2.2K |
| #7 | R312.313 | OPEN | 1K |
| #8 | L3.4 | SHORT | 15μH |
| #9 | C3.4 | 220P/100 or 220P/400 | 270P/100 |
| #10 | R320.321 | 2.2 | SHORT |
| #11 | R322.323 | 4.7K | OPEN |
| #12 | R269 | 2.7K | 4.7K |
| #13 | G75 | A970 | OPEN |
| #14 | G76 | C1815(Y) | OPEN |
| #15 | D28 | MTZJ3.6B | MTZJ6.2B |
| #16 | | | |

MICRO COMPUTER



POWER SUPPLY & MUTING CONTROL

MICRO COMPUTER



* All voltages are measured with a 10MΩ/DC electric volt meter.
 * Components having special characteristics are marked Δ and must be replaced with parts having specifications equal to those originally installed.
 * Schematic diagram is subject to change without notice.